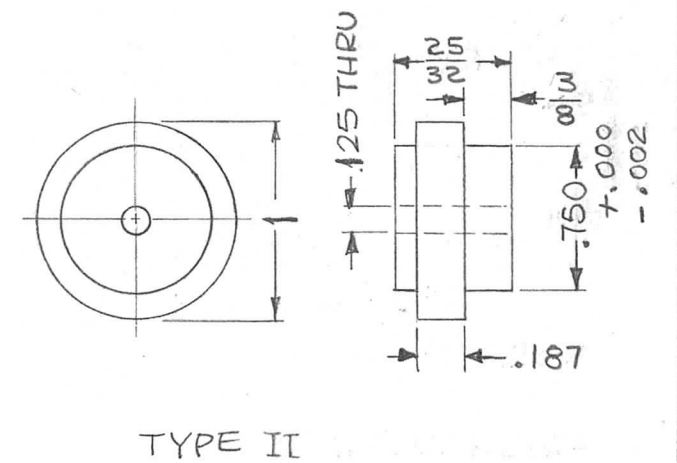
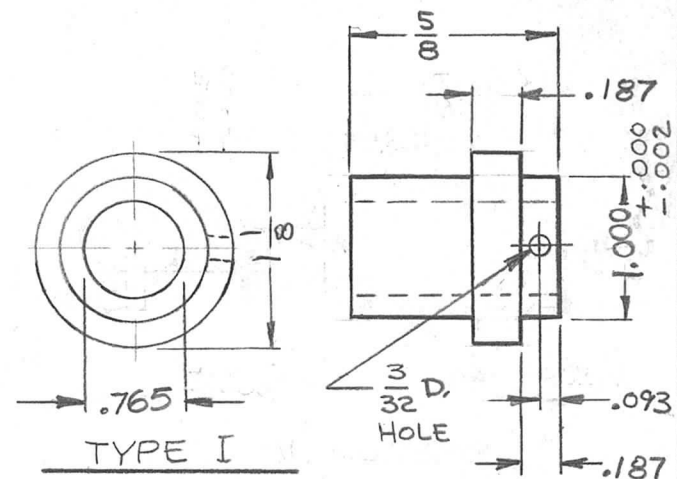


TMC NO.	TYPE	REQ.
PX850-1	I	1
PX850-2	II	1

REQ. PER UNIT	USED ON		PX850	Ø
	MODEL	ASS'Y. NO.		
	VLRB-1		8/28/64	



SYM	DESCRIPTION	DATE	CH. NO.	DRAFTS	CHECKER	ENG. APP.	REQ. ITEM	PART NO.	DESCRIPTION	SYMBOL			
Ø	ORIGINAL RELEASE FOR PRODUCTION	4.9.65	Ø	DL					<b>THE TECHNICAL MATERIEL CORP.</b> MAMARONECK, NEW YORK <b>BUSHING, DIAL BLT.</b>	Ø			
X2	TYPE I - DIM. .765 WAS .750 <small>TOLL. +.005 - .000 DELETED</small>	12-1-64		G.D.L.			//	STOCK SIZE					
X1	TYPE I & II REDIMENSIONED	10-27-64	X1	DL				NYLON					
X	EXPERIMENTAL REL.	8/28/64	X	WLB				MATERIAL					
	UNLESS OTHERWISE SPECIFIED DIMENSIONS ARE IN INCHES AND INCLUDE CHEMICALLY APPLIED OR PLATED FINISHES	SCALE					//	//	WLB	@	APR 4/9/65		
	DECIMALS .X ± .05 .XX ± .01 .XXX ± .005	FRACTIONS ± 1/64 ANGLES ± 0° 30'	CODE A					NATURAL	FINISH & SPEC. NO.	DRAWN	CHECKED	FINAL APPROVAL	
	TOLERANCES											PX 850	Ø
										ELEC. DES. APP.	MECH. DES. APP.		