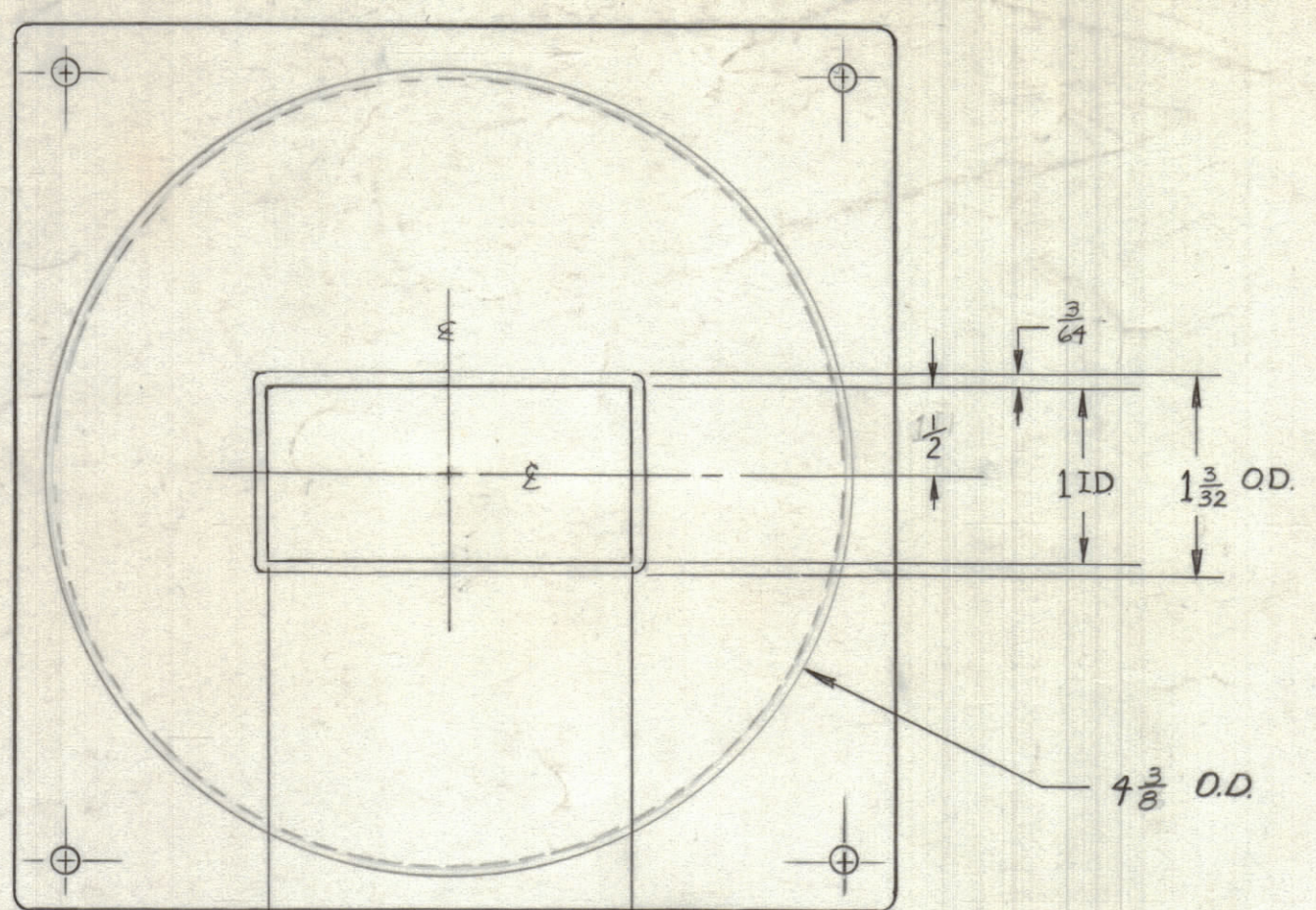
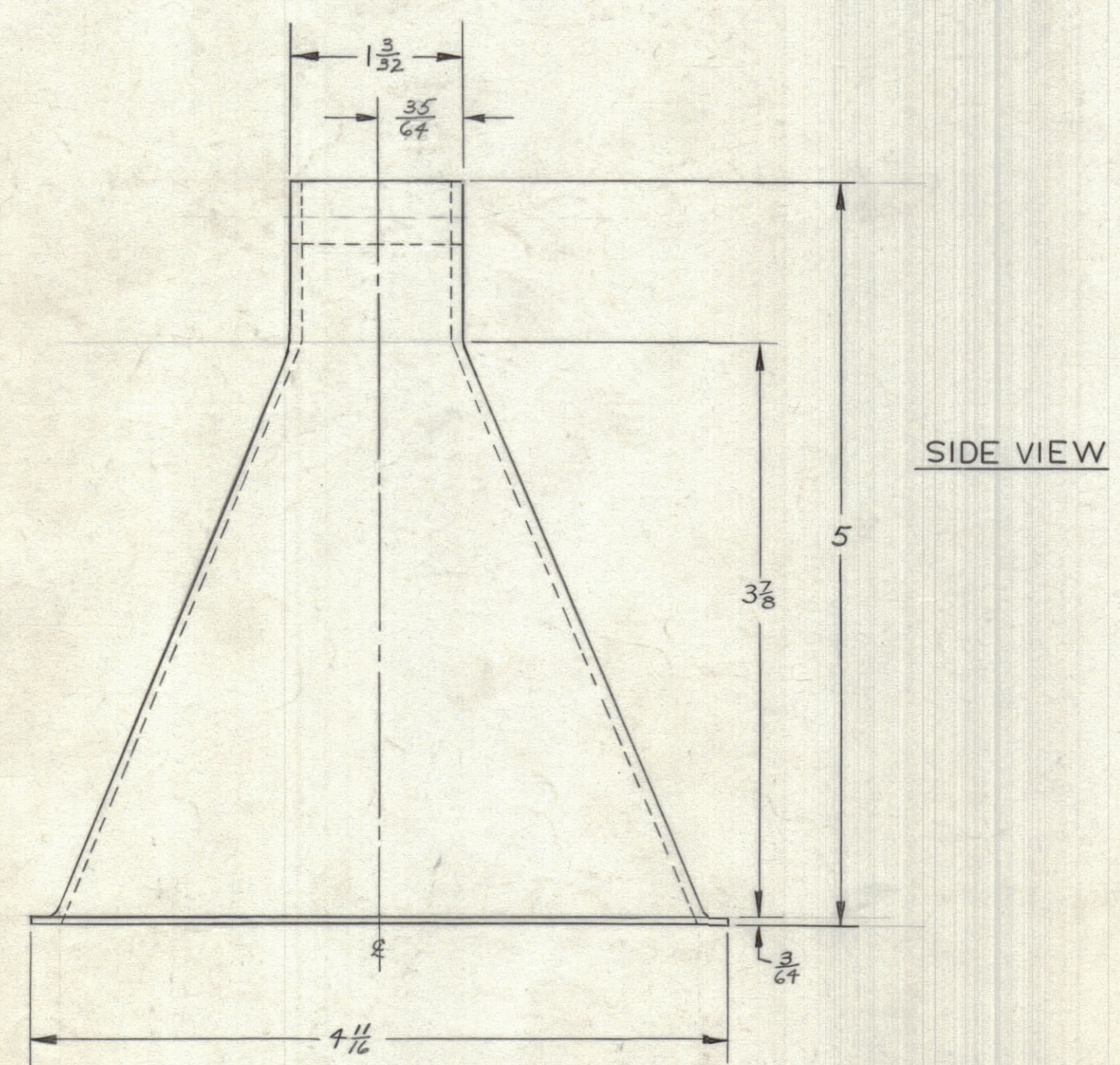


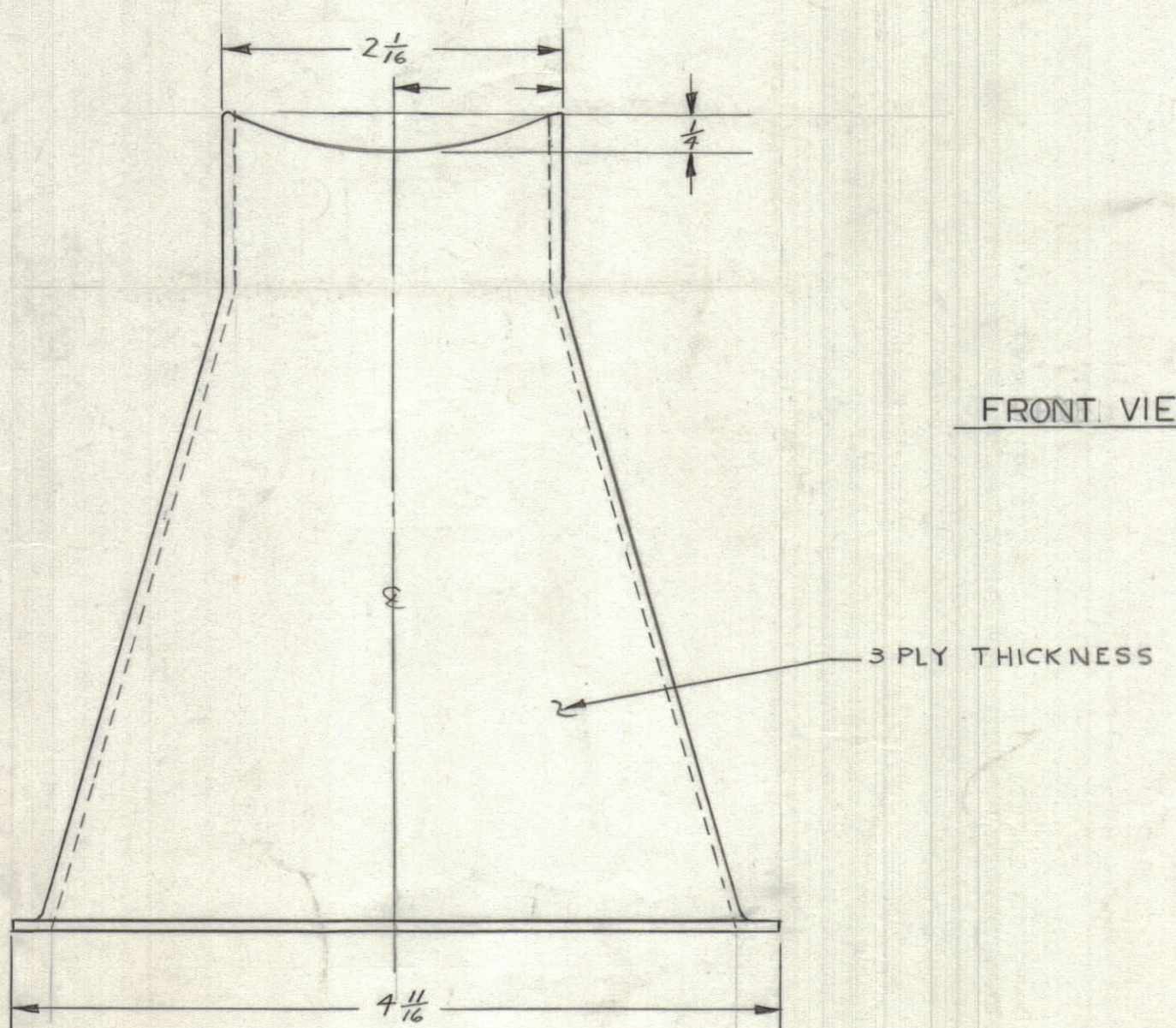
REVISIONS							
ZONE	LTR	DESCRIPTION	DATE	E.M.N.NO	DRAFT	CHKD	APPD
	0	ORIGINAL RELEASE FOR PRODUCTION	4-30-69		GE		NW



TOP VIEW

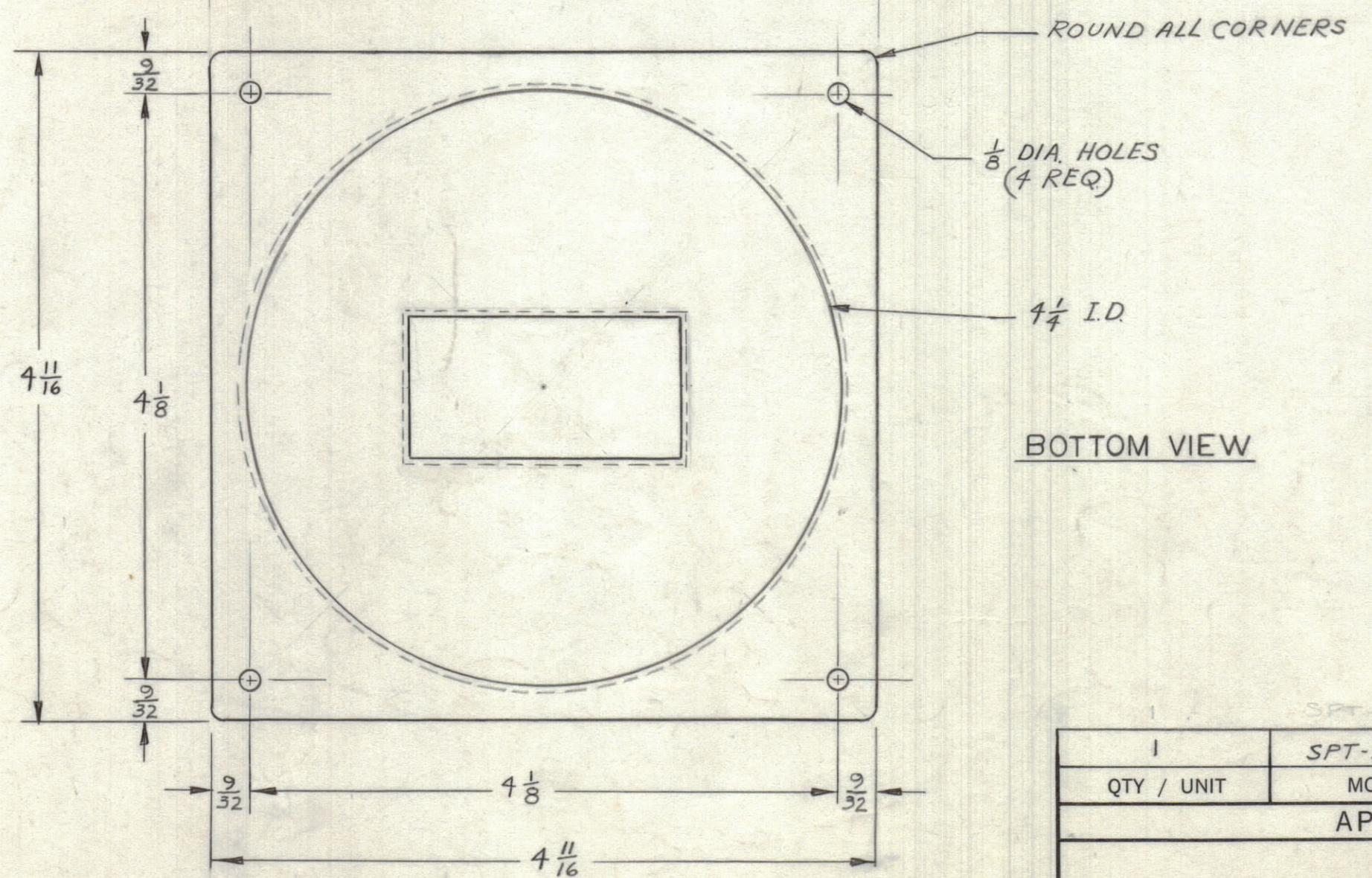


SIDE VIEW



FRONT VIEW

NOTE:  
1. THREE LAYERS OF 83 VP  
MADE BY STANPREG



BOTTOM VIEW

1	SPT-3KVHF	AX8088
QTY / UNIT	MODEL USED ON	ASS'Y NO.
APPLICATION		
CODE		
NOTICE TO PERSONS RECEIVING THIS DRAWING THE TECHNICAL MATERIEL CORPORATION claims proprietary right in the material disclosed herein. This drawing is issued in confidence for engineering information only and may not be reproduced or used to manufacture anything shown hereon without permission from THE TECHNICAL MATERIEL CORPORATION to the user. This drawing is loaned for mutual assistance and is subject to recall at any time.		

QTY. REQ.	ITEM	PART NO.	DESCRIPTION	SYMBOL
LIST OF MATERIAL				
THE TECHNICAL MATERIEL CORP. MAMARONECK, NEW YORK				
AIR DUCT FLANGE				
UNLESS OTHERWISE SPECIFIED DIMENSIONS ARE IN INCHES AND INCLUDE CHEMICALLY APPLIED OR PLATED FINISHES		FINAL APPROVAL MECH. DES. ELECT. DES. CHECKED DRAWN	DATE 4-2-69 4-2-69 2-11-69 7/22/68	
TOLERANCES ON				
DECIMALS .X ± .05 .XX ± .01 .XXX ± .005	FRACTIONS ± 1/64 ANGLES ± 0°-30'			
MATERIAL FINISH	FIBER GLASS STANPREG 83 VP SEE NOTE		SIZE D	CODE IDENT. NO. 82679
			DWG NO. PX8009	ISSUE 1
SCALE			SHEET 1 OF 1	