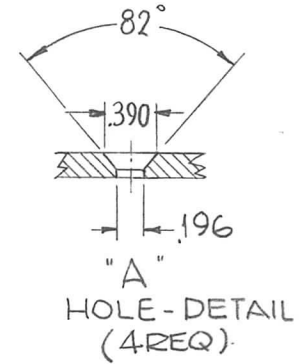
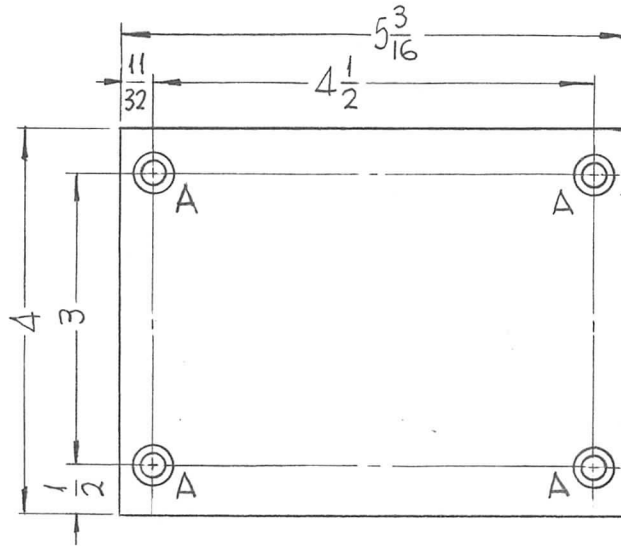


REQ. PER UNIT	USED ON			PX-799	O
	MODEL	ASS'Y. NO.	DATE		
1	TR-179	A-3143	2-25-64		



REQ.	ITEM	PART NO.	F. BUDETTI				DESCRIPTION	SYMBOL					
		1/4 THICK	THE TECHNICAL MATERIEL CORP. MAMARONECK, NEW YORK				INSULATOR, XFMR TIEDOWN	O					
		STOCK SIZE											
		G7 SILICONE GLASS	ORIGINAL RELEASE FOR PRODUCTION				4-6-64	1	AS				
SYM	DESCRIPTION	DATE	CH. NO.	DRAFTS	CHECKER	ENG. APP.	MATERIAL						
UNLESS OTHERWISE SPECIFIED DIMENSIONS ARE IN INCHES AND INCLUDE CHEMICALLY APPLIED OR PLATED FINISHES			SCALE 1/2" = 1"				—		—		SRG	aa	RJC
		TYPE & TEMPER		HEAT TREAT. SPEC.		DRAWN		CHECKED		FINAL APPROVAL			
DECIMALS .X ± .05 .XX ± .01 .XXX ± .005		FRACTIONS ± 1/64 ANGLES ± 0° 30'		CODE A		—		2RFB		PX-799		O	
TOLERANCES		FINISH & SPEC. NO.		ELEC. DES. APP.		MECH. DES. APP.							