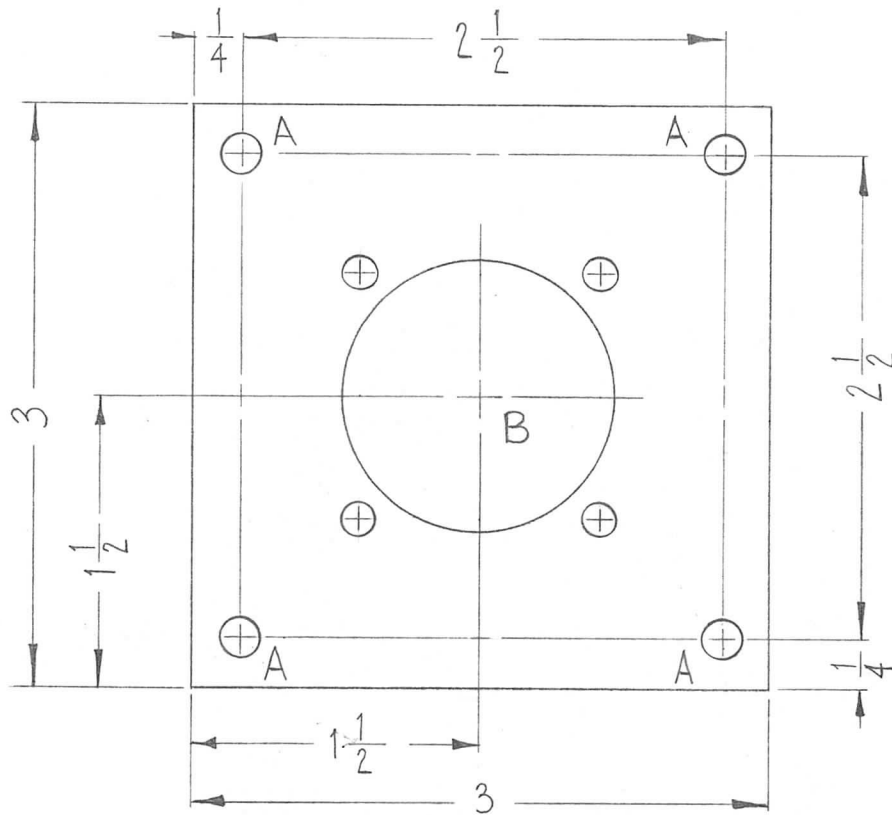
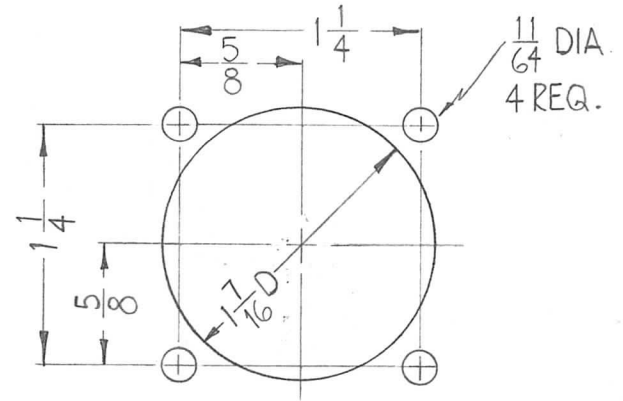


REQ. PER UNIT	USED ON			PX-779	○
	MODEL	ASS'Y. NO.	DATE		
1	GPT-200K AX-397	A-2761	10-7-63		



HOLE	DESCRIPTION	REQ.
A	13/64 DIA.	4



"B" DETAIL
1 REQ.

							REQ. ITEM	PART NO.	F. BUDETTI	DESCRIPTION	SYMBOL
								1/4 THK STOCK SIZE	THE TECHNICAL MATERIEL CORP. MAMARONECK. NEW YORK		
								EPOXY	BOARD, CONNECTOR MOUNTING		
○	ORIGINAL RELEASE FOR PRODUCTION	5/27/64	○	A.M.							
SYM	DESCRIPTION	DATE	CH. NO.	DRAFTS	CHECKER	ENG. APP.	MATERIAL				
UNLESS OTHERWISE SPECIFIED DIMENSIONS ARE IN INCHES AND INCLUDE CHEMICALLY APPLIED OR PLATED FINISHES		SCALE		T=1			G-11		W.A. FRANCO	aa	RE
							TYPE & TEMPER	HEAT TREAT. SPEC.	DRAWN	CHECKED	FINAL APPROVAL
DECIMALS .X ± .05 .XX ± .01 .XXX ± .005	TOLERANCES	FRACTIONS ± 1/64 ANGLES ± 0° 30'	CODE				NATURAL		○	○	PX-779
							FINISH & SPEC. NO.		ELEC. DES. APP.	MECH. DES. APP.	○