

THE CONTENTS OF THIS DRAWING ARE THE EXCLUSIVE PROPERTY OF THE TECHNICAL MATERIEL CORP. ITS UNAUTHORIZED USE FOR REPRODUCTION IN WHOLE OR IN PART IS STRICTLY FORBIDDEN.

REQ. PER UNIT

2

USED ON

MODEL

GPT-200K(AK395)

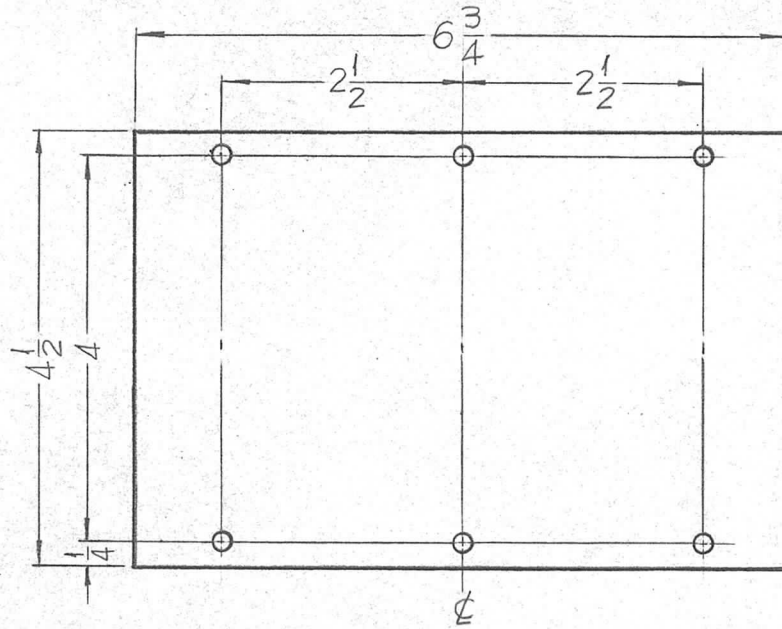
ASS'Y. NO.

A-3258

DATE

6-5-63

PX-758 0



HOLES:

11/64 DIA. ————— 6 REQ.

REQ.	ITEM	PART NO.	F. BUDETTI			DESCRIPTION	SYMBOL		
		1/8 THICK	THE TECHNICAL MATERIEL CORP.						
		STOCK SIZE	MAMARONECK, NEW YORK						
0	ORIG. RELEASE FOR PROD.	5-6-64	SRG	INSULATOR DECOUPLER BOX					
SYM	DESCRIPTION	DATE	CH. NO.	DRAFTS	CHECKER	ENG. APP.	MATERIAL		
UNLESS OTHERWISE SPECIFIED DIMENSIONS ARE IN INCHES AND INCLUDE CHEMICALLY APPLIED OR PLATED FINISHES		SCALE	1/2"=1"				SRG	aa	KAL
DECIMALS	TOLERANCES	FRACTIONS	CODE	NATURAL			DRAWN	CHECKED	FINAL APPROVAL
.X ± .05		± 1/64	A	FINISH & SPEC. NO.			SRG	aa	PX-758 0
.XX ± .01		ANGLES		ELEC. DES. APP.				MECH. DES. APP.	
.XXX ± .005		± 0° 30'							