

THE CONTENTS OF THIS DRAWING ARE THE EXCLUSIVE PROPERTY OF THE TECHNICAL MATERIEL CORP. ITS UNAUTHORIZED USE FOR REPRODUCTION IN WHOLE OR IN PART IS STRICTLY FORBIDDEN.

REQ. PER UNIT

1

USED ON

MODEL

GPT-200 K

ASS'Y. NO.

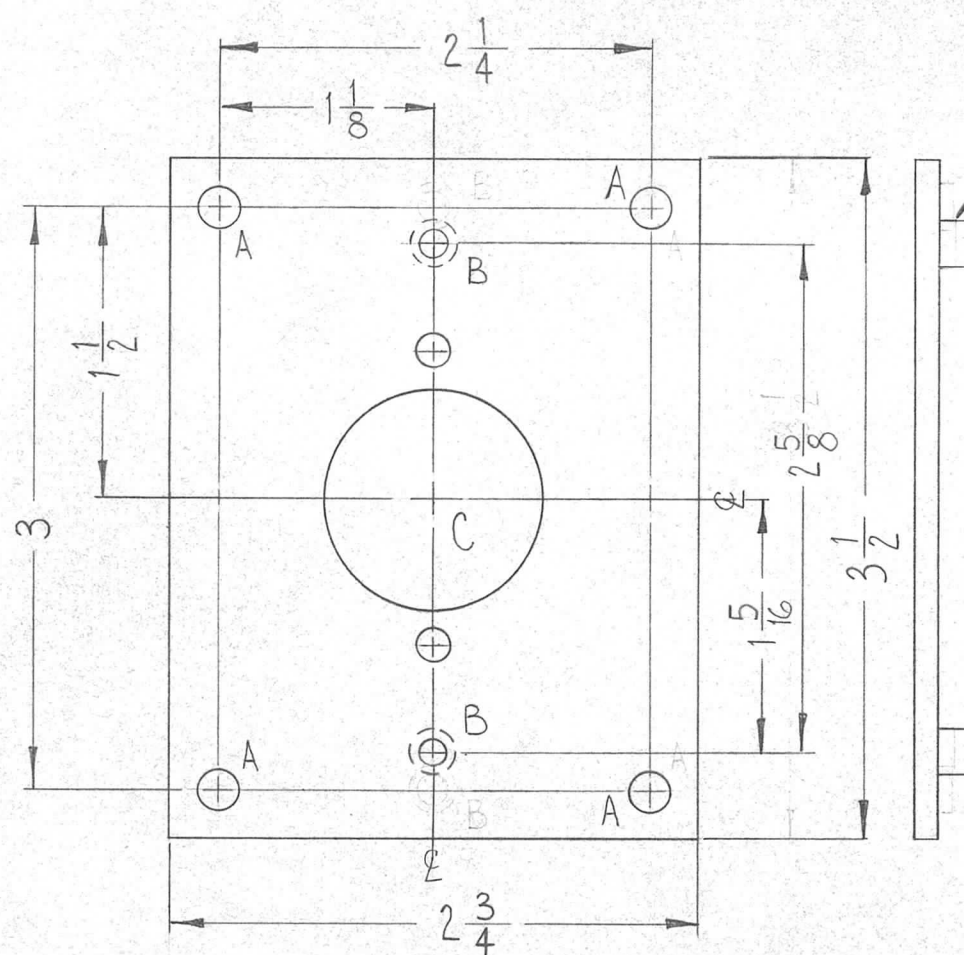
AP-108

DATE

6-12-63

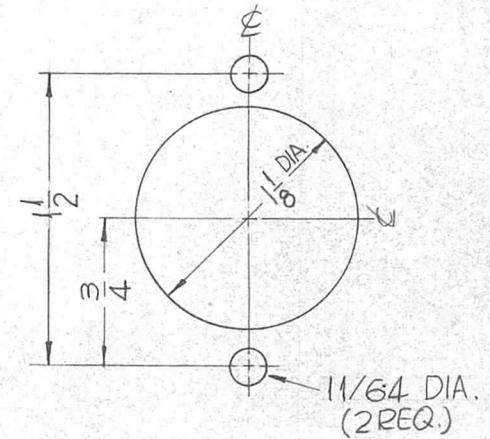
PX-756

Ø



1 MOUNT ITEM 1 IN ALL "B" HOLES AFTER FINISHING.

HOLE	DESCRIPTION	REQ.
A	13/64 DIA.	4
B	.189 DIA.	2
C	SEE DETAIL	



"C"-DETAIL (1 REQ.)

2	1	TE-108-8	STANDOFF, RIVET TYPE	B
REQ.	ITEM	PART NO.	F. BUDETTI DESCRIPTION	SYMBOL
		1/8	THE TECHNICAL MATERIEL CORP. MAMARONECK, NEW YORK	
		PHENOLIC	BOARD, RELAY MTG.	
		XXXXP	WA. FRANCO	JCB Rce
		NATURAL S113	DRAWN	CHECKED
			ELEC. DES. APP.	MECH. DES. APP.
			PX-756	Ø

UNLESS OTHERWISE SPECIFIED DIMENSIONS ARE IN INCHES AND INCLUDE CHEMICALLY APPLIED OR PLATED FINISHES		SCALE	1:1			
DECIMALS .X ± .05 .XX ± .01 .XXX ± .005	TOLERANCES	FRACTIONS ± 1/64 ANGLES ± 0° 30'	CODE	A		
ORIGINAL RELEASE FOR PRODUCTION		DATE	CH. NO.	DRAFTS	CHECKER	ENG. APP.
		3-3-64			A.M.	