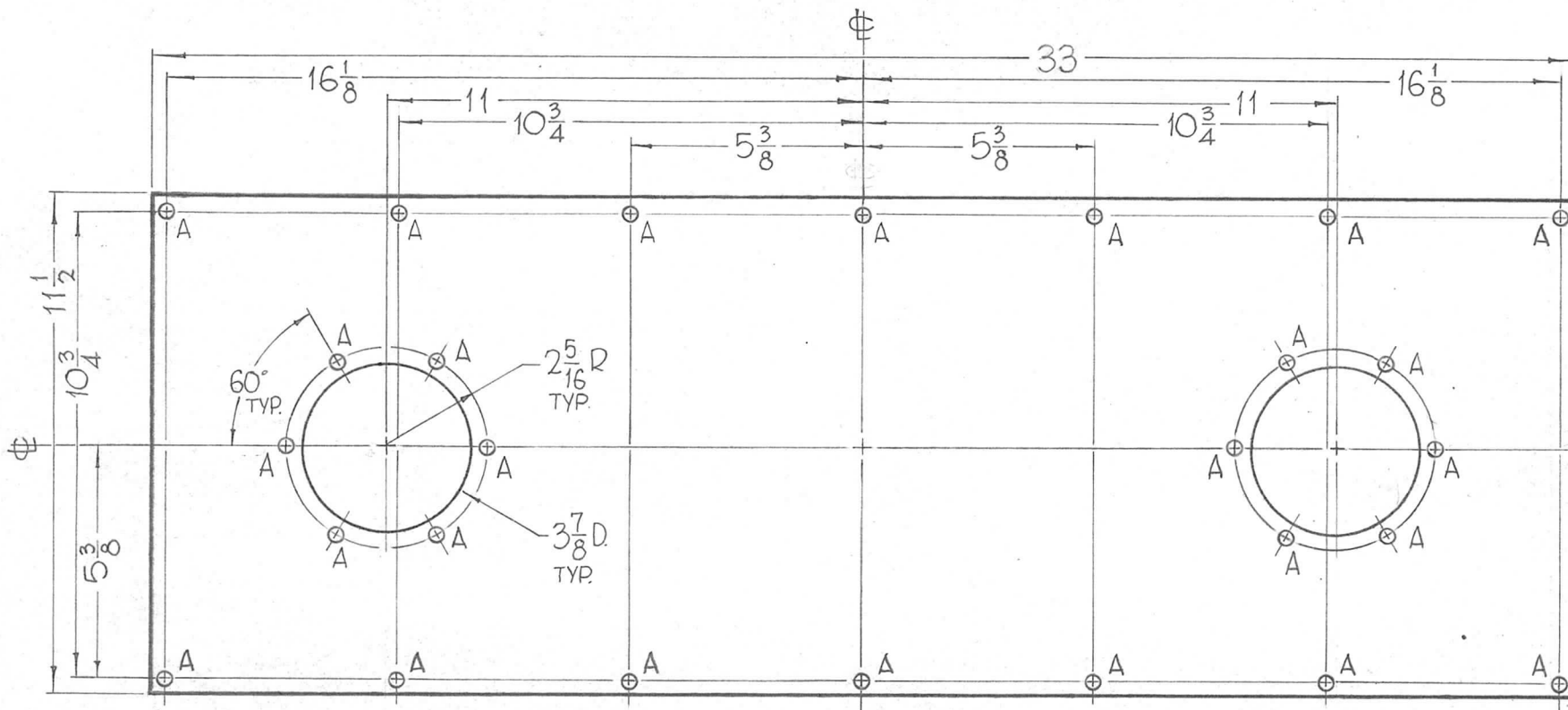


THE CONTENTS OF THIS DRAWING ARE THE EXCLUSIVE PROPERTY OF THE TECHNICAL MATERIEL CORP. ITS UNAUTHORIZED USE FOR REPRODUCTION IN WHOLE OR IN PART IS STRICTLY FORBIDDEN.

REQ. PER UNIT	USED ON			PX-755	O
	MODEL	ASS'Y. NO.	DATE		
1	GPT-200K (AT-105)	A-2763	6-3-63		

HOLES REQ.
A - 5/16 DIA 26



REF - TMC DWG. NO. LD-1264

							REQ. ITEM	PART NO.	F. BUDETTI	DESCRIPTION	SYMBOL	
								1/4 THICK		THE TECHNICAL MATERIEL CORP.		
								STOCK SIZE		MAMARONECK.		
								SILICONE GLASS		BOARD, MOUNTING, ASSY		
								MATERIAL		ANTENNA FEED-THRU		
								G-7	John C. Biele	aa	RWC	
								TYPE & TEMPER		DRAWN	CHECKED	FINAL APPROVAL
								NATURAL		203	12/7/63	PX-755 O
								FINISH & SPEC. NO.		ELEC. DES. APP.	MECH. DES. APP.	

UNLESS OTHERWISE SPECIFIED DIMENSIONS ARE IN INCHES AND INCLUDE CHEMICALLY APPLIED OR PLATED FINISHES

DECIMALS
.X ± .05
.XX ± .01
.XXX ± .005

FRACTIONS
± 1/64
ANGLES
± 0° 30'

TOLERANCES

SCALE
1/4 (DO NOT SCALE)

CODE
A