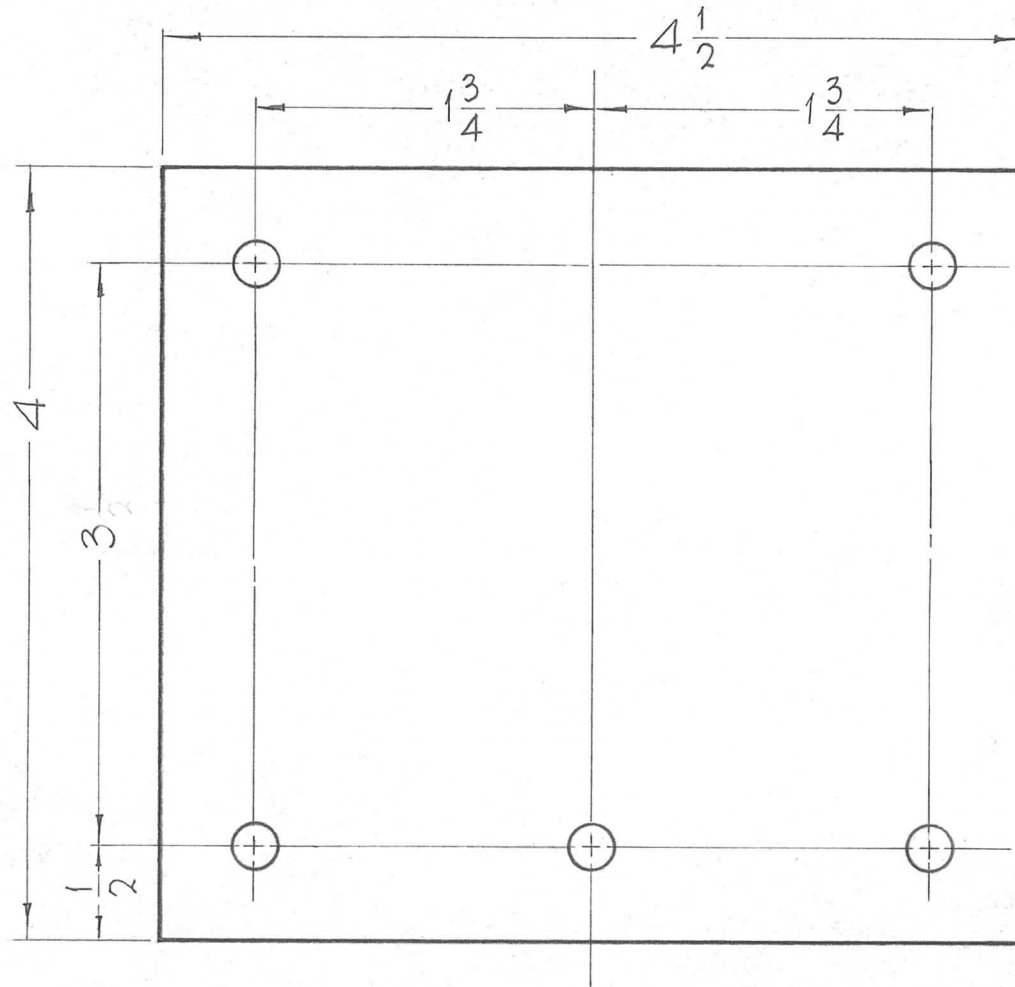


THE CONTENTS OF THIS DRAWING ARE THE EXCLUSIVE PROPERTY OF THE TECHNICAL MATERIEL CORP. ITS UNAUTHORIZED USE FOR REPRODUCTION IN WHOLE OR IN PART IS STRICTLY FORBIDDEN.

REQ. PER UNIT	USED ON			PX-750	O
	MODEL	ASS'Y. NO.	DATE		
1	GPT-200K	AX-393	5 - 21 - 63		



HOLES

A - 15/64 DIA

5REQ.

								REQ. ITEM	PART NO.	F. BUDETTI	DESCRIPTION	SYMBOL		
									1/4 THICK		THE TECHNICAL MATERIEL CORP.			
									STOCK SIZE		MAMARONECK, NEW YORK			
									SILICONE GLASS		BOARD, SUPPORT, CAPACITORS			
									MATERIAL					
									G-7	John C. Biele	aa	RJC		
									TYPE & TEMPER		DRAWN	CHECKED	FINAL APPROVAL	
									NATURAL		DB	we 4/13/64	PX-750	O
									FINISH & SPEC. NO.		ELEC. DES. APP.	MECH. DES. APP.		

ORIGINAL RELEASE FOR PRODUCTION

5/13/64 O A.M.

SYM DESCRIPTION DATE CH. NO. DRAFTS CHECKER ENG. APP.

UNLESS OTHERWISE SPECIFIED DIMENSIONS ARE IN INCHES AND INCLUDE CHEMICALLY APPLIED OR PLATED FINISHES

SCALE

DECIMALS
.X ± .05
.XX ± .01
.XXX ± .005

TOLERANCES

FRACTIONS
± 1/64
ANGLES
± 0° 30'

CODE
A