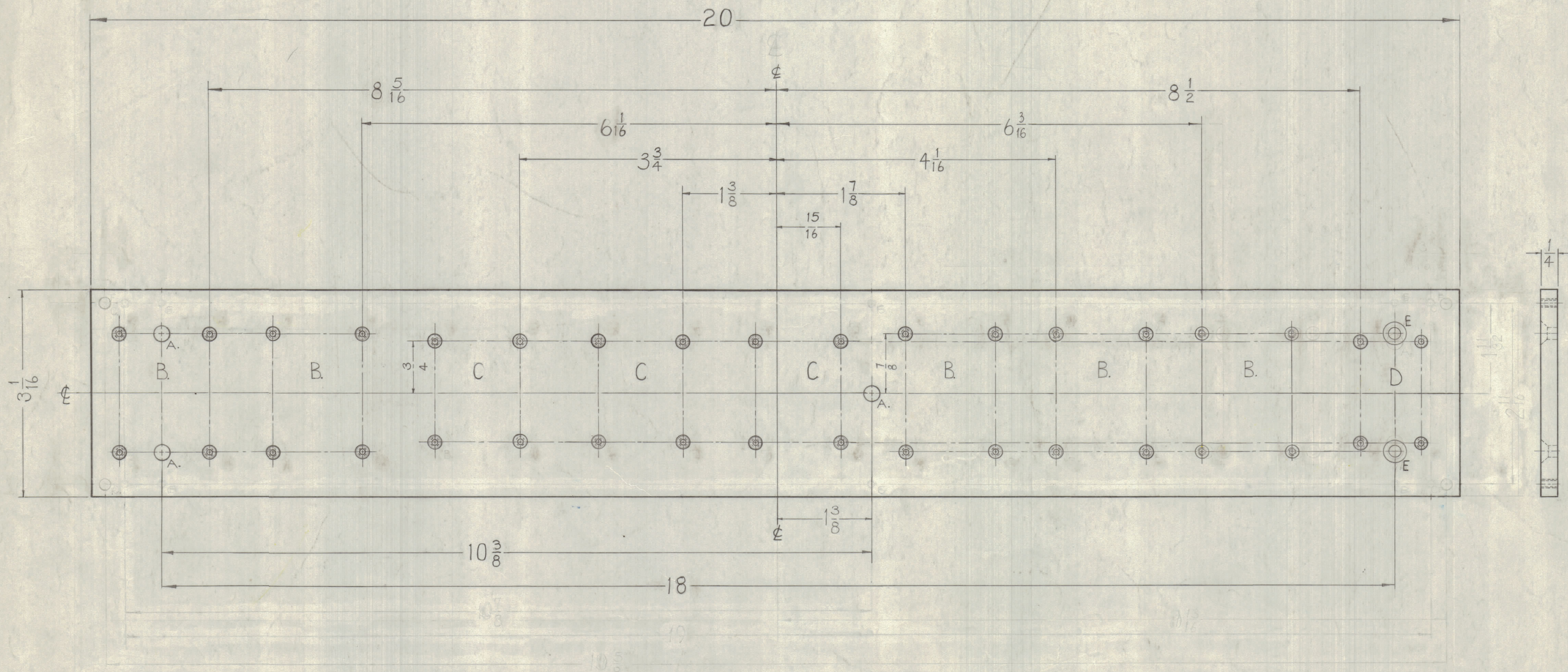
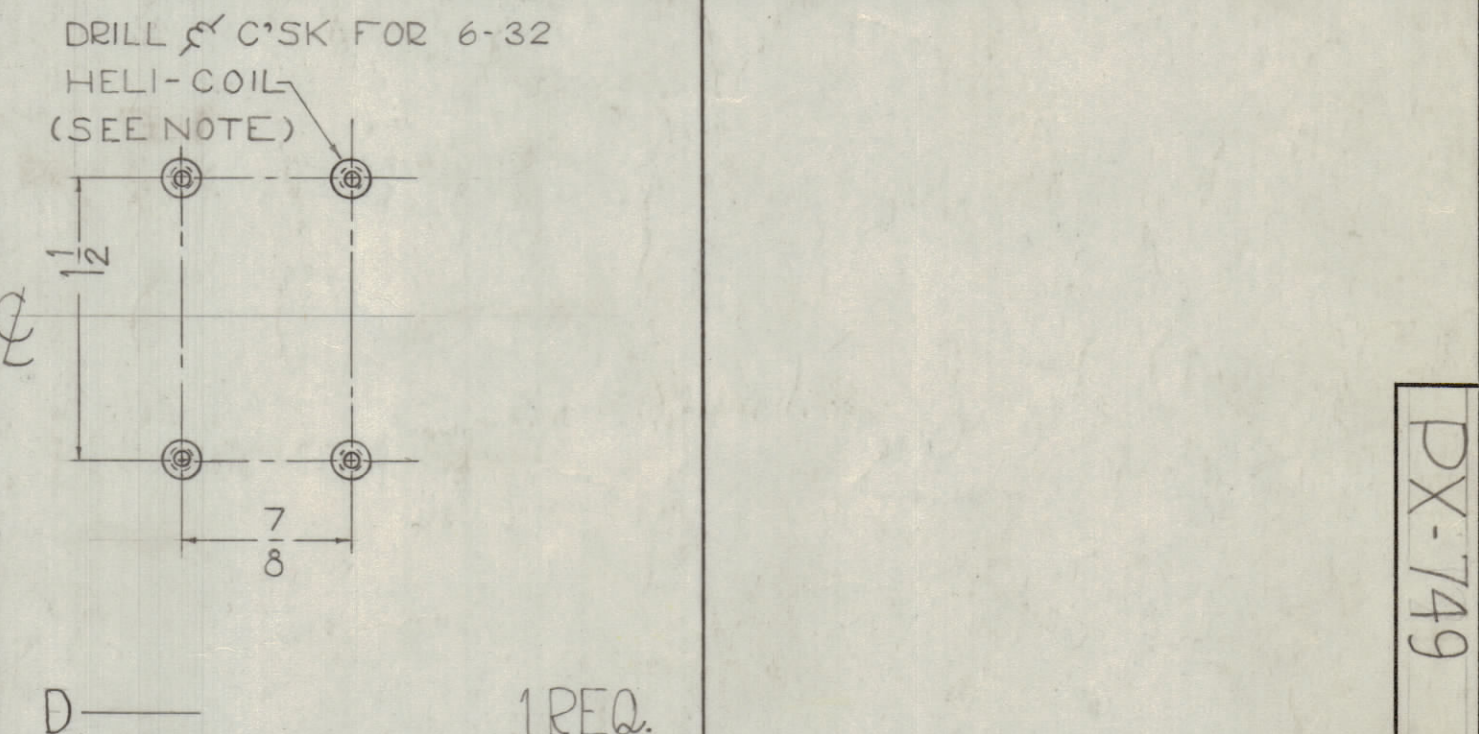
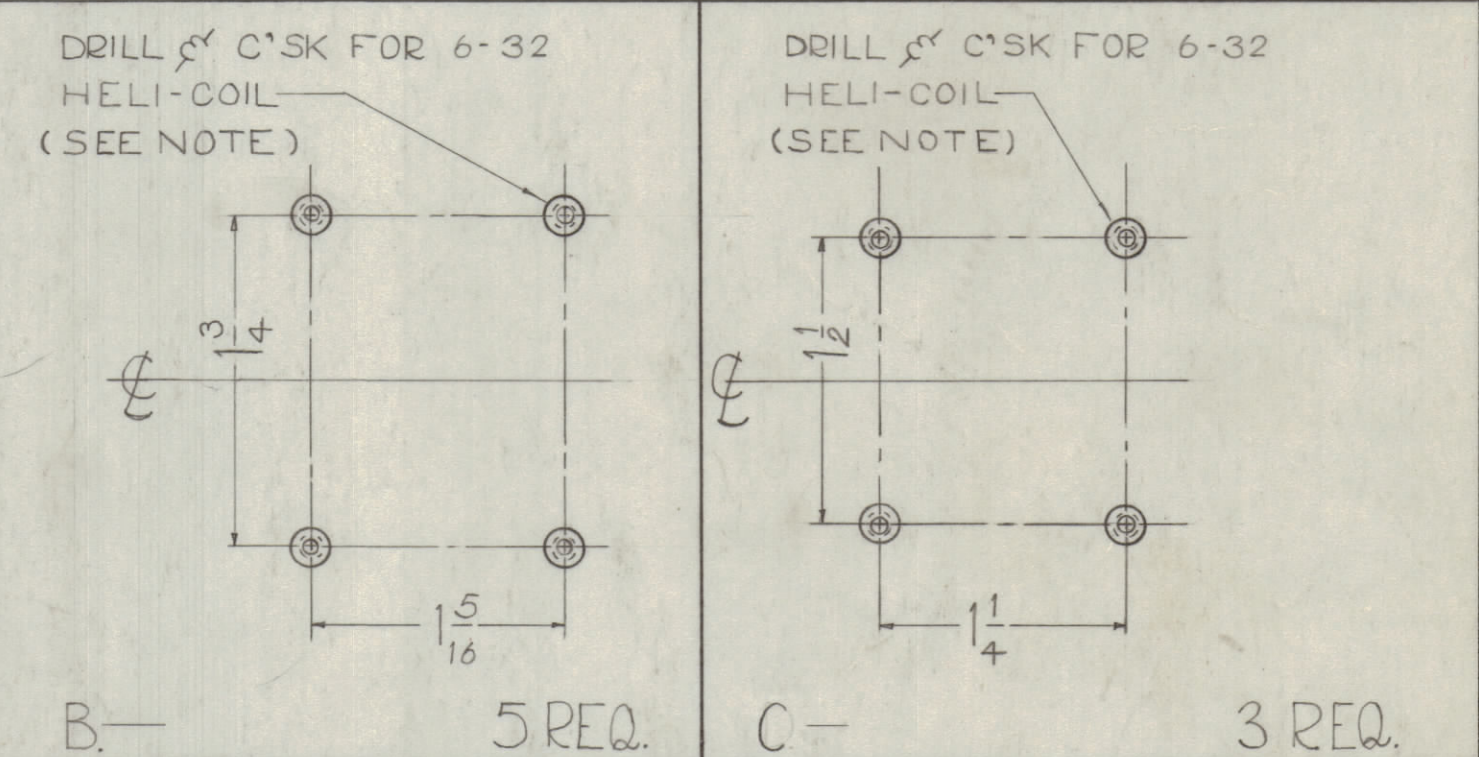


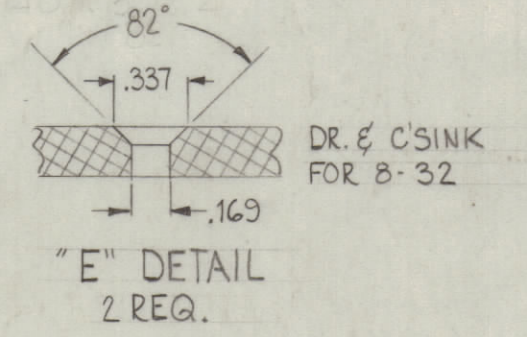
REVISIONS						
ZONE	SYM	DESCRIPTION	DATE	E.M.N. NO.	DRAFT	CHKD
X3		4 5/32 DIA HOLES DELETED - HOLE LETTERS RE-ARRANGED	7-22-64			
O		ORIGINAL RELEASE FOR PRODUCTION	4-23-64		SRG	
A		F HOLES WERE 18" APART	6-11-64		SRG	
B		6 F HOLES DELETED	7.9.64	11778	WP	



FRONT VIEW SHOWN



- HOLES**
- A - 13/64 DIA. 3 REQ.
 - B - SEE DETAIL
 - C - SEE DETAIL
 - D - SEE DETAIL
 - E - SEE DETAIL



- NOTE**
1. DRILL #25
 2. 120° COUNTERSINK .17;20 DIA.
 3. TAP USE HELI-COIL TAP # 06CPA
 4. INSTALL ITEM ① 3/4 TO 1-1/2 PITCH BELOW SURFACE
 5. BREAK OFF DRIVING TANG

REF: TMC DWG. LD-1244-		36 1 NT-139-SC06-15 INSERT, THREADED	
REQ'D.	ITEM	PART NUMBER	DESCRIPTION
	F. BUDETTI		
MATERIAL 1/4 THICK GL-11 EPOXY		LIST OF MATERIAL	
FINISH NATURAL		THE TECHNICAL MATERIEL CORP. MAMARONECK, NEW YORK	
TITLE BOARD, RELAY MOUNTING		DRAWN J.F. VITRO	
UNLESS OTHERWISE SPECIFIED DIMENSIONS ARE IN INCHES AND INCLUDE CHEMICALLY APPLIED OR PLATED FINISHES		CHECKED aa	
DECIMALS .1 ± .05 .2 ± .01 .XXX ± .005		ELECT. DES. DATE	
FRACTIONS ± 1/64 ANGLES ± 0° 30'		MECH. DES. DATE	
TOLERANCES		DATE	
		PX-749	
		SHEET	
		REV. LTR.	

NOTES