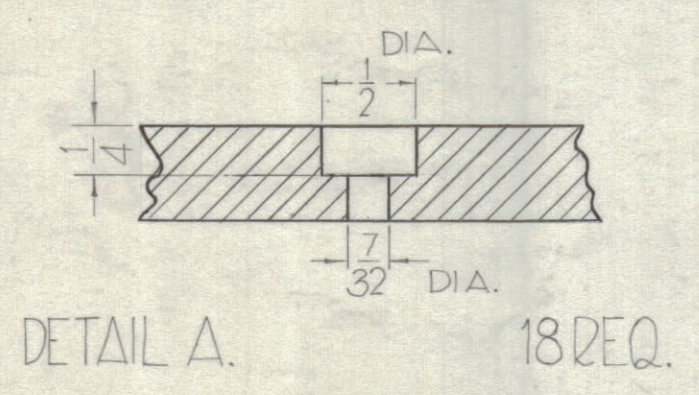
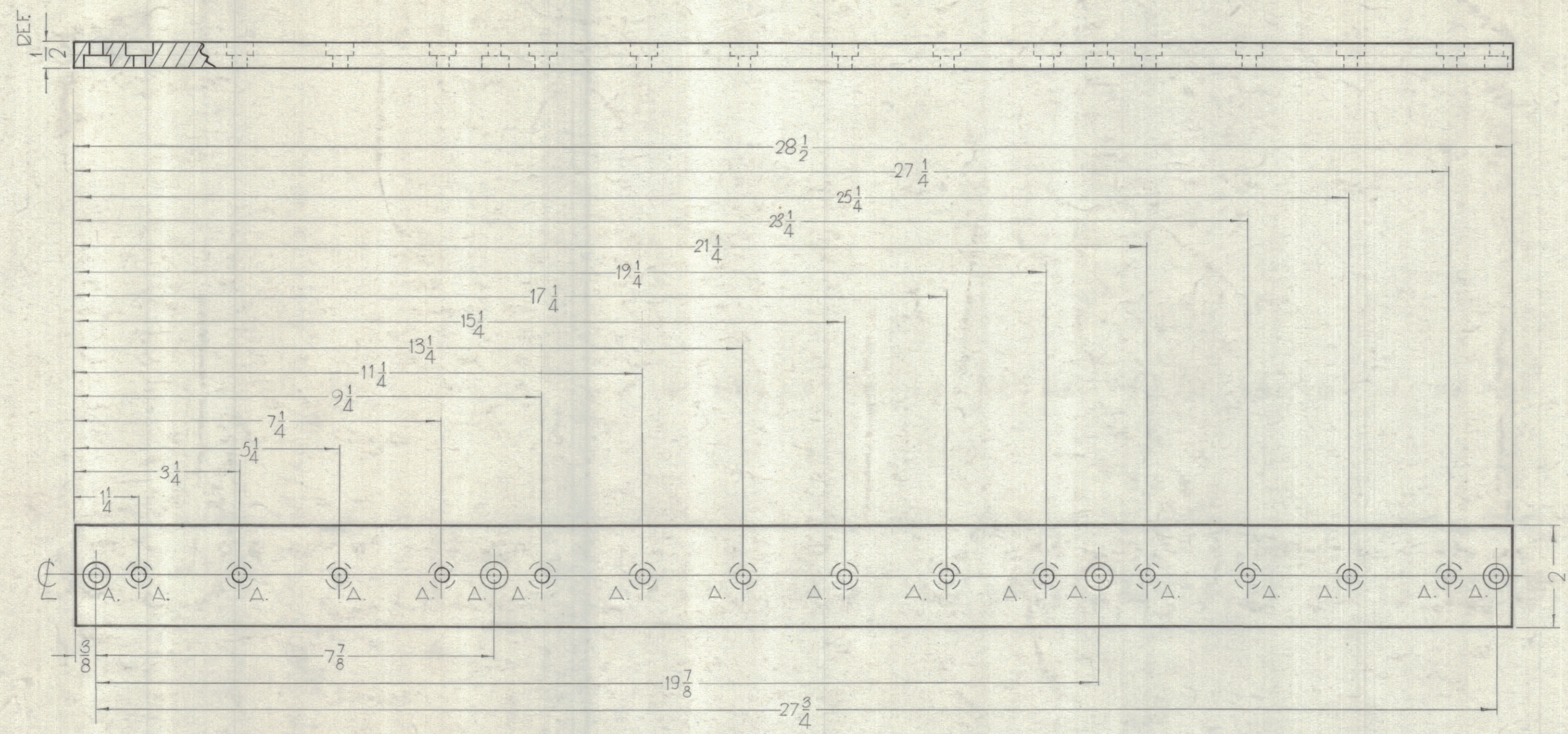


REVISIONS							
ZONE	SYM	DESCRIPTION	DATE	E.M.N. NO.	DRAFT	CHKD	APPD
	0	ORIGINAL RELEASE FOR PRODUCTION	5.18.64				



LD-1225
REF - TMC DWG LD-1224, 1225

Q'TY./UNIT	MODEL USED ON	ASS'Y. NO.
1	GPT-200K	AP-111
1	GPT-200K	AP-109 AP-111

REQ'D.	ITEM	PART NUMBER	DESCRIPTION	SYMBOL
F. BUDETTI LIST OF MATERIAL				
MATERIAL		1/2 THICK G-11 EPOXY	THE TECHNICAL MATERIEL CORP. MAMARONECK, NEW YORK	
FINISH		NATURAL	TITLE BOARD, RESISTOR CLIP MTG. TOP	
UNLESS OTHERWISE SPECIFIED DIMENSIONS ARE IN INCHES AND INCLUDE CHEMICALLY APPLIED OR PLATED FINISHES			DRAWN J.F. VITRO	DATE
DECIMALS .X ± .05 .XX ± .01 .XXX ± .005			CHECKED <i>AO</i>	DATE
FRACTIONS ± 1/64 ANGLES ± 0° 30'			ELECT. DES. <i>JB</i>	DATE
TOLERANCES			MECH. DES. <i>AO</i>	DATE
			DATE	DATE
			SHEET	REV. LTR.

NOTES

THE CONTENTS OF THIS DRAWING ARE THE EXCLUSIVE PROPERTY OF THE TECHNICAL MATERIEL CORP. ITS UNAUTHORIZED USE OR REPRODUCTION IN WHOLE OR IN PART IS STRICTLY FORBIDDEN.

PX-728 0