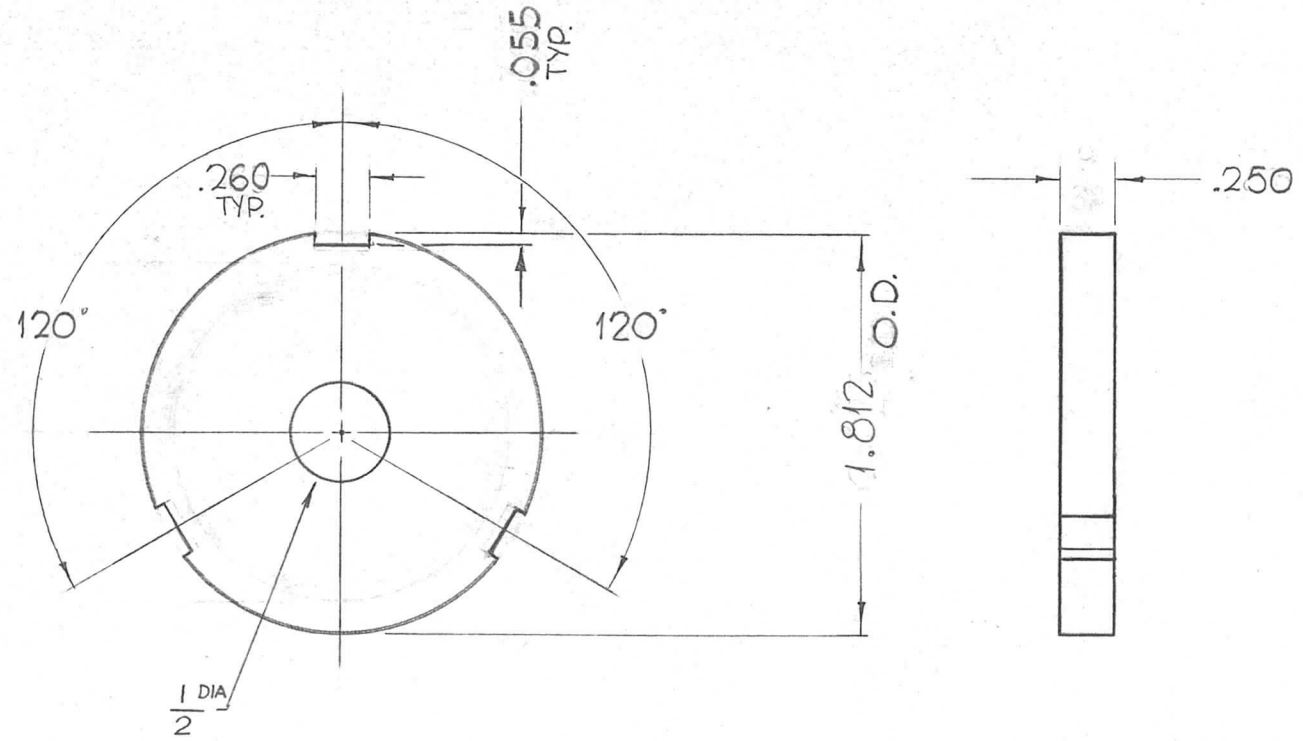


THE CONTENTS OF THIS DRAWING ARE THE EXCLUSIVE PROPERTY OF THE TECHNICAL MATERIEL CORP. ITS UNAUTHORIZED USE FOR REPRODUCTION IN WHOLE OR IN PART IS STRICTLY FORBIDDEN.

REQ. PER UNIT	USED ON		
	MODEL	ASS'Y. NO.	DATE
2	GPT-200K AX-395	A-3163	4-17-63

PX-720 A



						REQ. ITEM	PART NO.	F. BUDETTI	DESCRIPTION	SYMBOL	
						1/4 THICK STOCK SIZE		THE TECHNICAL MATERIEL CORP. MAMARONECK, NEW YORK			
A	DIM. .055 WAS .109		3-7-67	17889	GDL	TEFLON		SPACER, COIL			
0	ORIGINAL RELEASE		5.16.64		LSB	MATERIAL					
SYM	DESCRIPTION		DATE	CH. NO.	DRAFTS	CHECKER	ENG. APP.				
UNLESS OTHERWISE SPECIFIED DIMENSIONS ARE IN INCHES AND INCLUDE CHEMICALLY APPLIED OR PLATED FINISHES			SCALE			DO NOT SCALE					
DECIMALS .X ± .05 .XX ± .01 .XXX ± .005			FRACTIONS ± 1/64 ANGLES ± 0° 30'			TOLERANCES			CODE		
						TYPE & TEMPER	HEAT TREAT. SPEC.	DRAWN	CHECKED	FINAL APPROVAL	
						NONE		John C. Biele	aa	Roe	
						FINISH & SPEC. NO.	ELEC. DES. APP.	MECH. DES. APP.	PX-720	A	