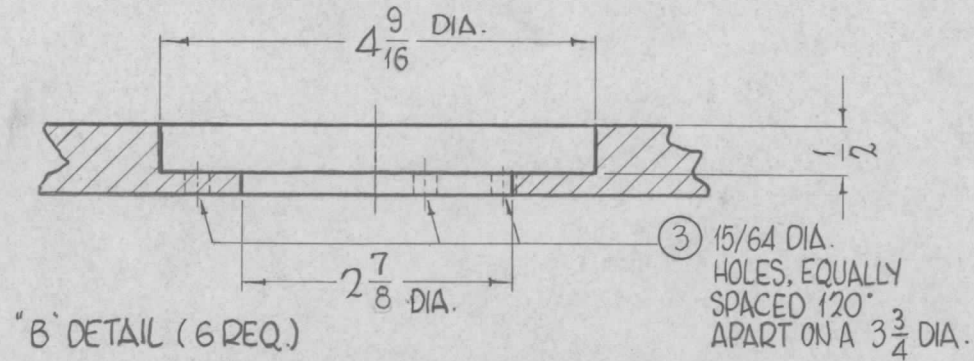
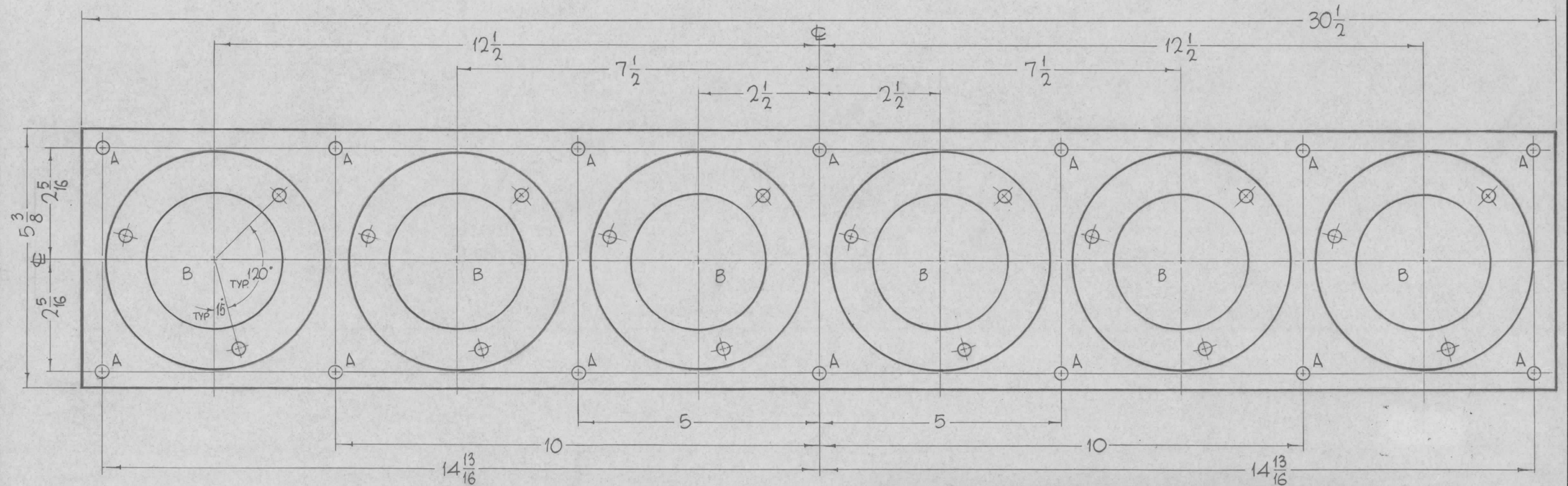


HOLES REQ.  
A-15/64 DIA. 14



PX-685

REVISIONS						
SYM	DESCRIPTION	DATE	E.M.N. NO.	DRAFT	CHKD	APPD
0	ORIGINAL RELEASE FOR PRODUCTION	3-26-64		A.M.		



**NOTES**

REF-TMC DWG. LD-1170		
1	GPT-200K	AP-110
Q'TY./UNIT	MODEL USED ON	ASS'Y. NO.
SCALE 1/2" = 1	CODE A	
THE CONTENTS OF THIS DRAWING ARE THE EXCLUSIVE PROPERTY OF THE TECHNICAL MATERIEL CORP. ITS UNAUTHORIZED USE OR REPRODUCTION IN WHOLE OR IN PART IS STRICTLY FORBIDDEN.		

REQ'D.	ITEM	PART NUMBER	DESCRIPTION	SYMBOL
F. BUDETTI LIST OF MATERIAL				
MATERIAL			THE TECHNICAL MATERIEL CORP. MAMARONECK, NEW YORK	
FINISH			TITLE	
NATURAL			BOARD, TUBE MOUNTING	
UNLESS OTHERWISE SPECIFIED DIMENSIONS ARE IN INCHES AND INCLUDE CHEMICALLY APPLIED OR PLATED FINISHES			DRAWN	DATE
			John C Biele	7-19-63
			CHECKED	DATE
			JCB	
			ELECT. DES.	DATE
			JCB	1/7/64
			MECH. DES.	DATE
			MC	2/7/64
			FINAL APPROVAL	DATE
			RJC	
			PX-685	0
			SHEET	REV. LTR.