

THE CONTENTS OF THIS DRAWING ARE THE EXCLUSIVE PROPERTY OF THE TECHNICAL MATERIEL CORP. ITS UNAUTHORIZED USE OR REPRODUCTION IN WHOLE OR IN PART IS STRICTLY FORBIDDEN.

REQ. PER UNIT  
4

MODEL  
HFS-1

USED ON

ASS'Y. NO.

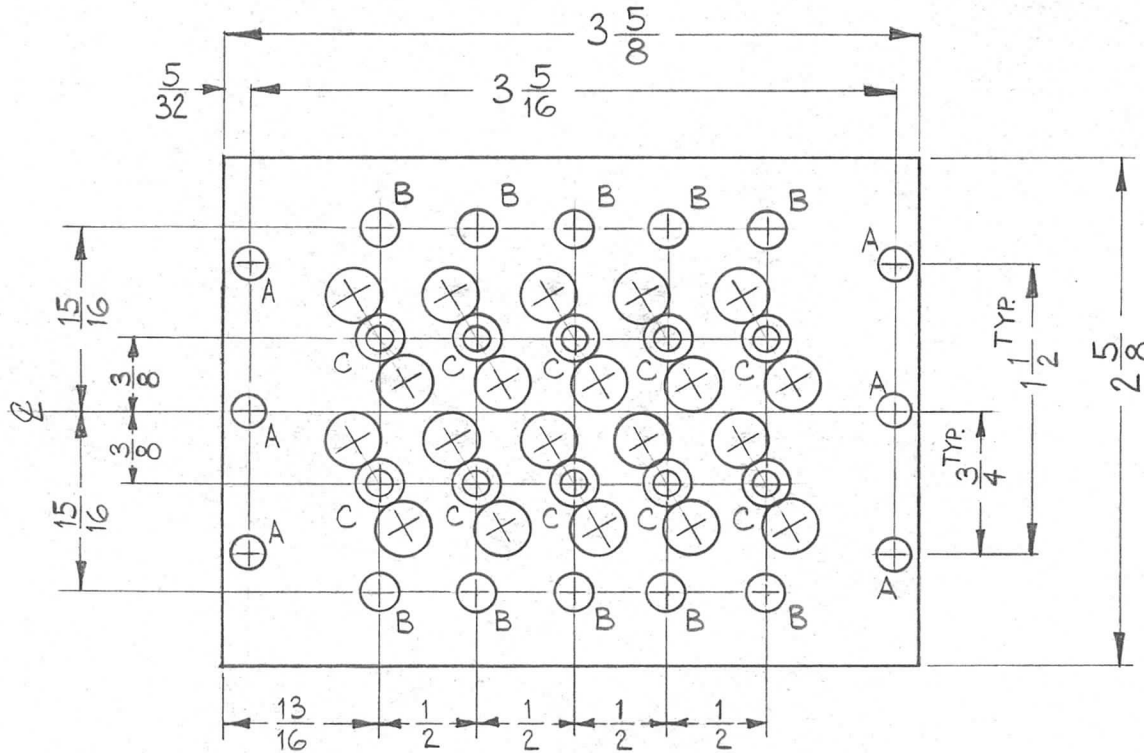
A-2417-18-19-21

DATE

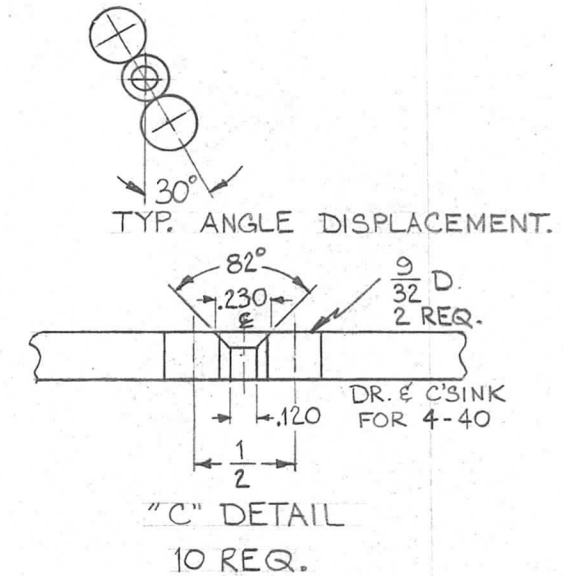
8-15-62

PX-658

A



LEGEND		
HOLE	DESCRIPTION	REQ.
A	11/64 DIA.	6
B	13/64 DIA.	10



REF:  
LD-1073 (3100)  
LD-1079 (3200)  
LD-1080 (3300)  
LD-1081 (3400)

REQ.	ITEM	PART NO.	STRUMMER	DESCRIPTION	SYMBOL	
		1/8		THE TECHNICAL MATERIEL CORP.		
		STOCK SIZE		MAMARONECK, NEW YORK		
A	"B" HOLE DIA 13/64 WAS 3/16	1.16/69 18063	BAKELITE	BOARD, MOUNTING, CRYSTALS		
			MATERIAL			
SYM	DESCRIPTION	DATE	CH. NO.	DRAFTS	CHECKER	ENG. APP.
UNLESS OTHERWISE SPECIFIED: DIMENSIONS ARE IN INCHES TOLERANCES ON FRAC. ± 1/64 DEC. ± .005 ANGLES ± 1/2°		SCALE: DO NOT SCALE MAXIMUM ALLOWABLE TOLERANCES HAVE BEEN DETERMINED AND ANY DEVIATIONS WILL BE CAUSE FOR REJECTION. REMOVE ALL BURRS AND SHARP EDGES				
		XXXXP		M.A.F.	JQ	BP
		TYPE & TEMPER	HEATTREAT. SPEC.	DRAWN	CHECKED	FINAL APPROVAL
		NATURAL		JMA	JMA	PX-658
		FINISH & SPEC. NO.		ELEC. DES. APP.	MECH. DES. APP.	A