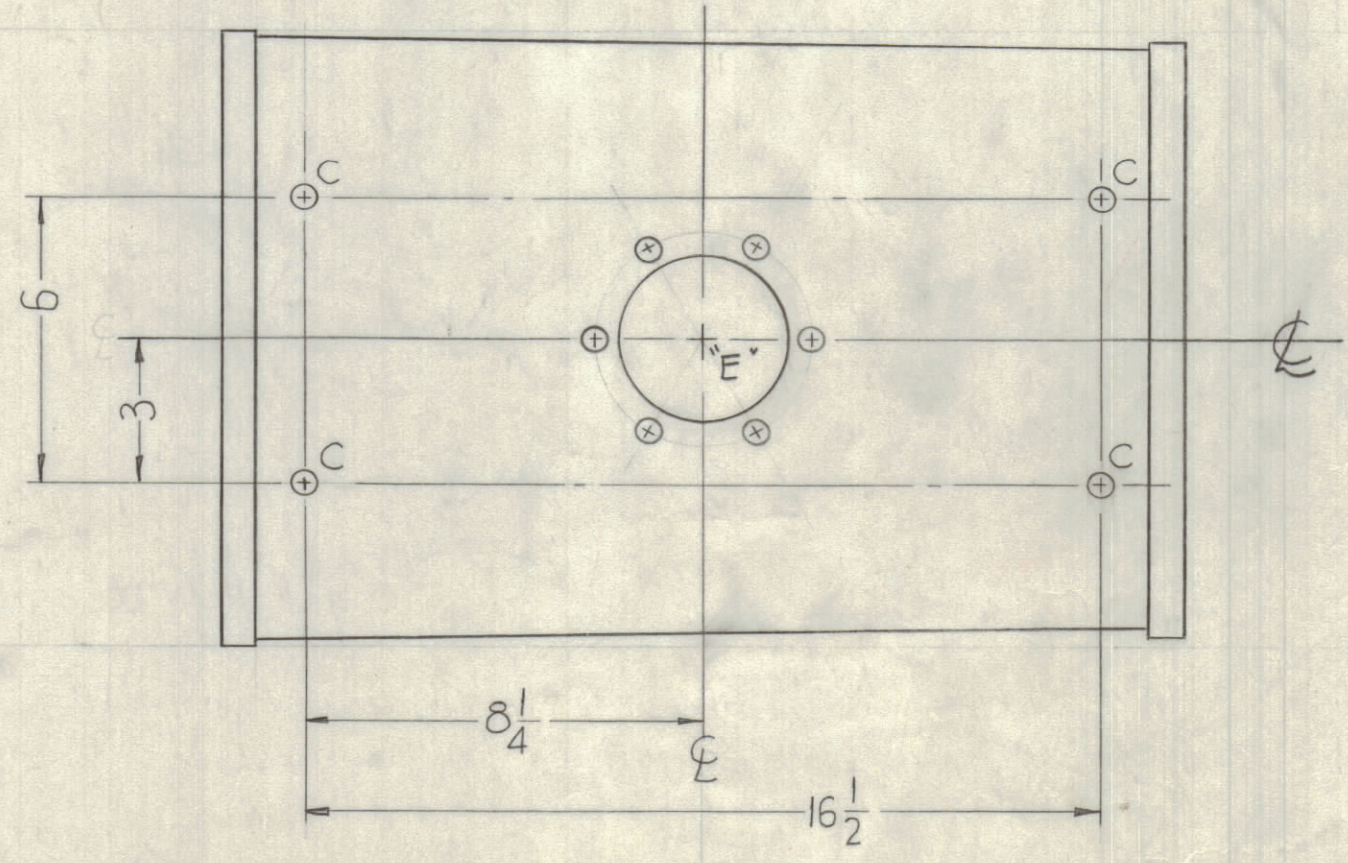
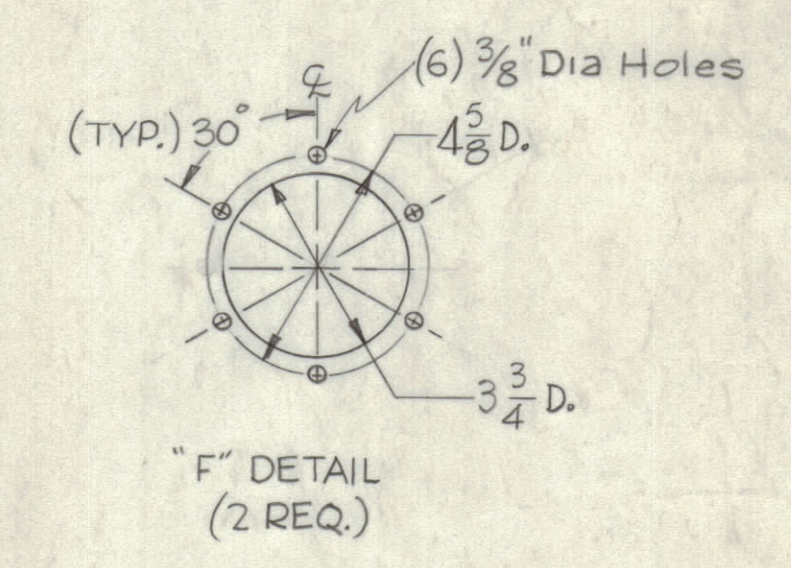
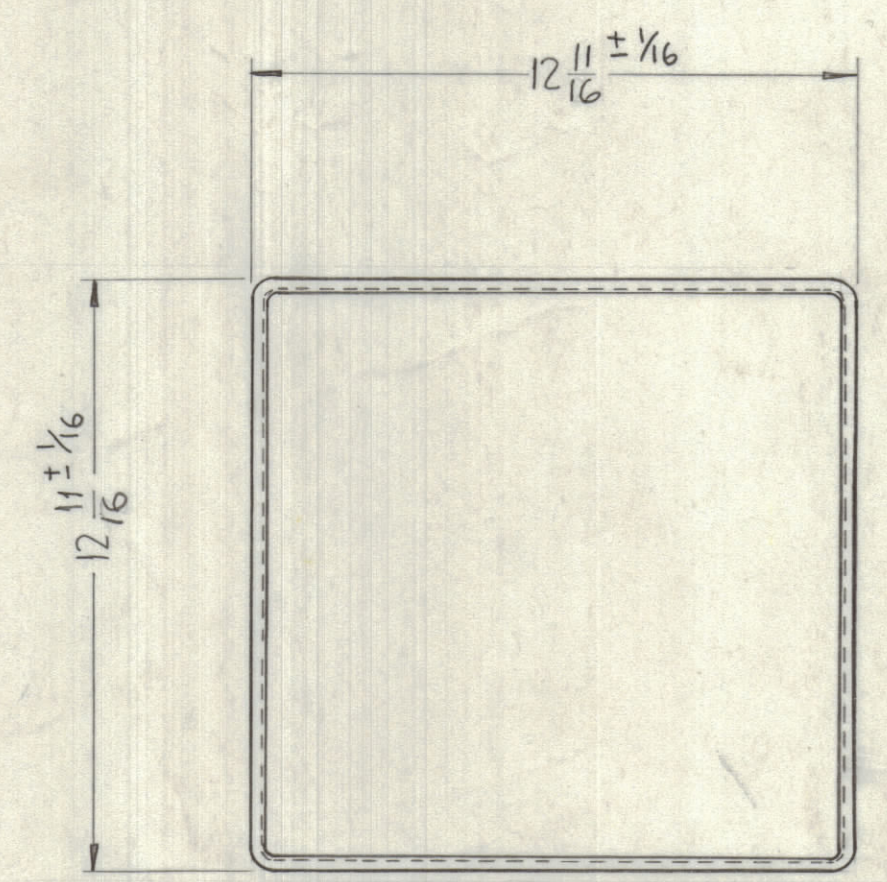
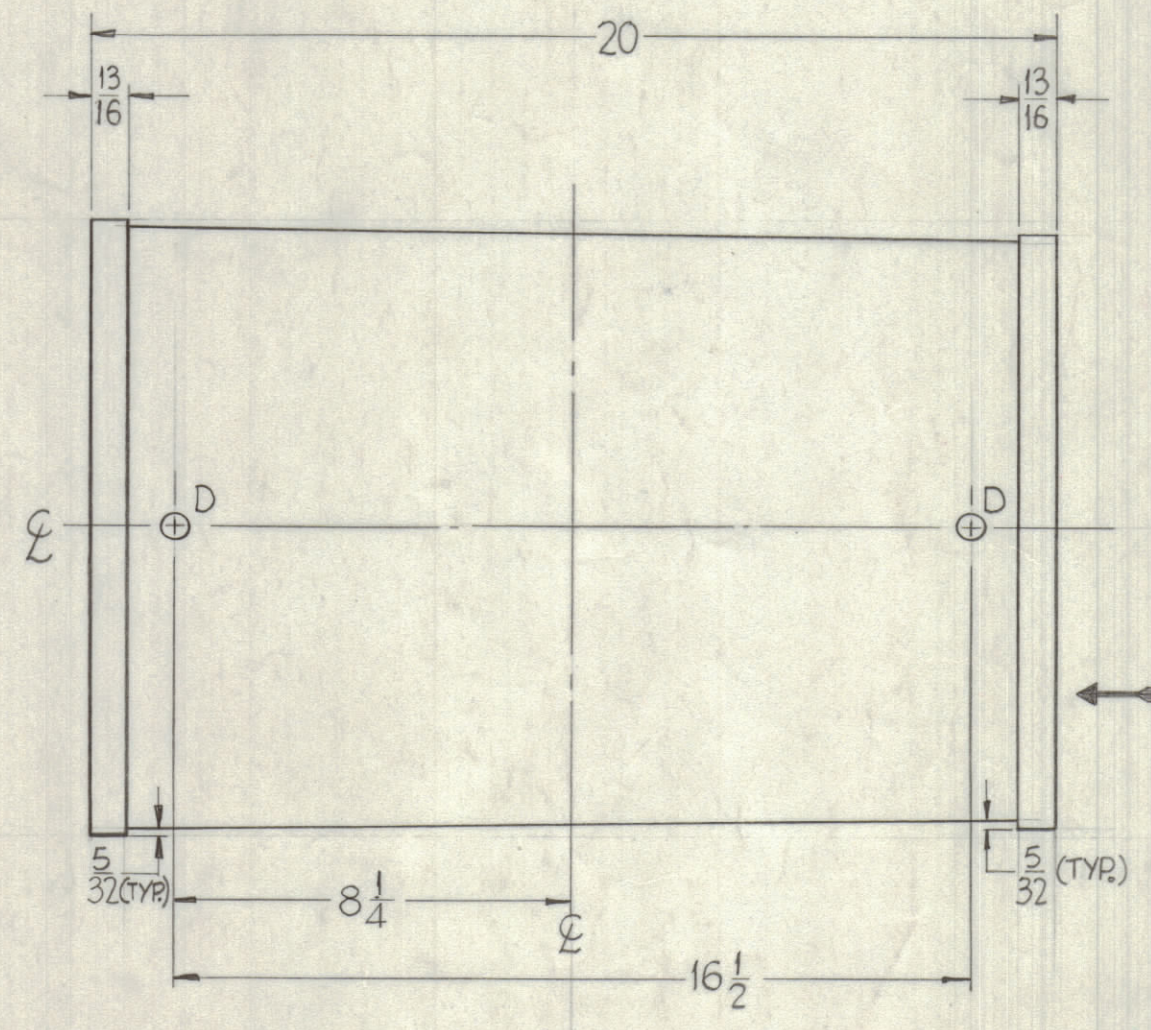
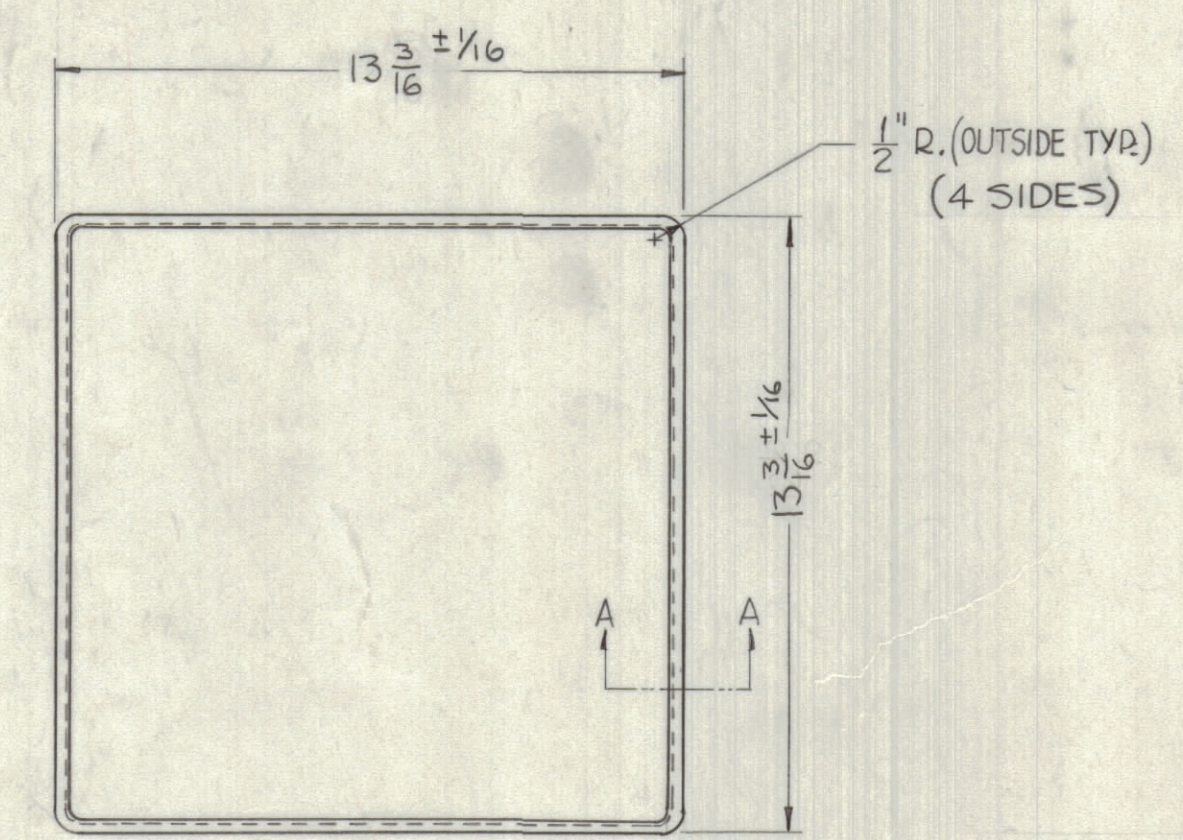
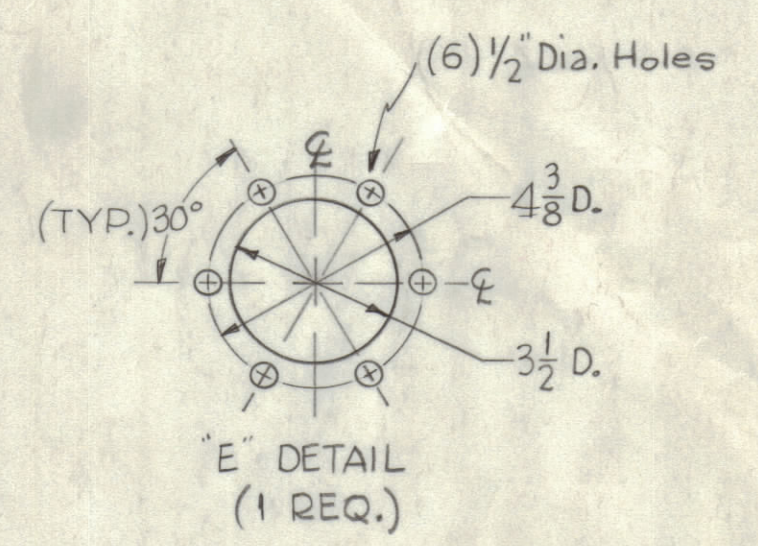
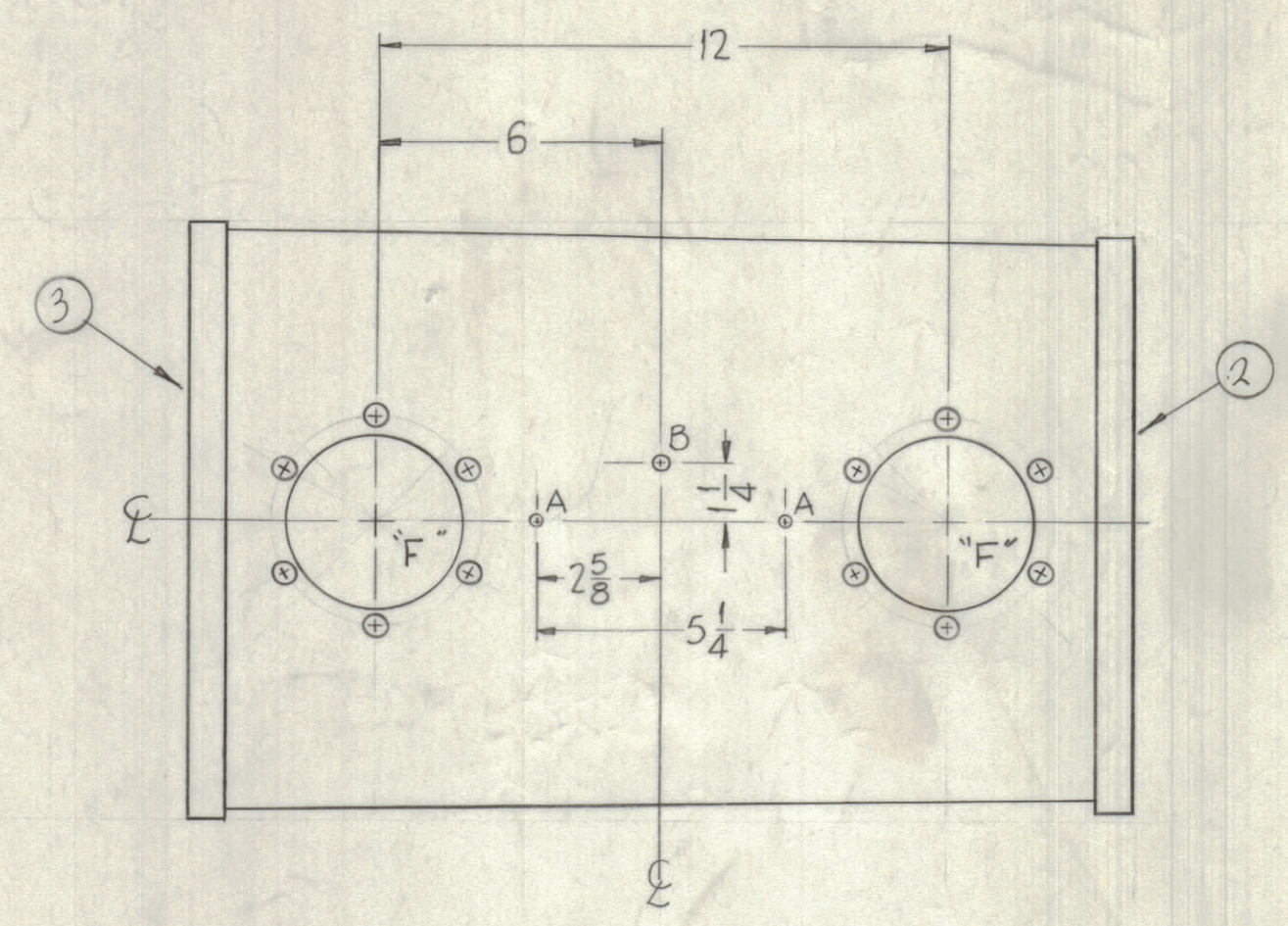
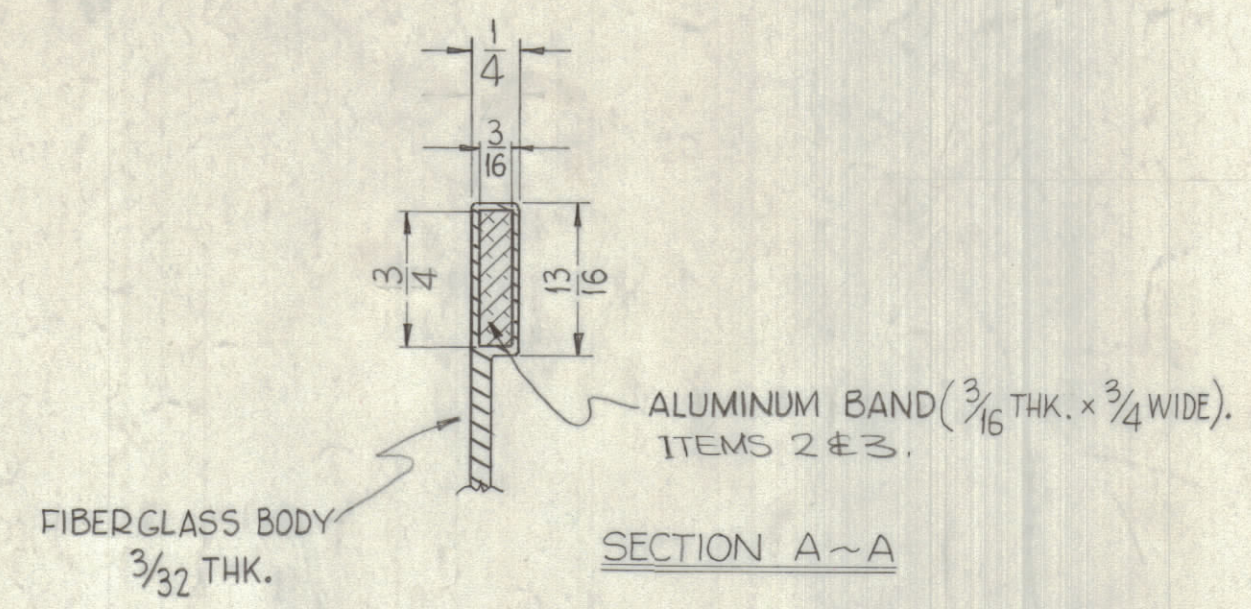
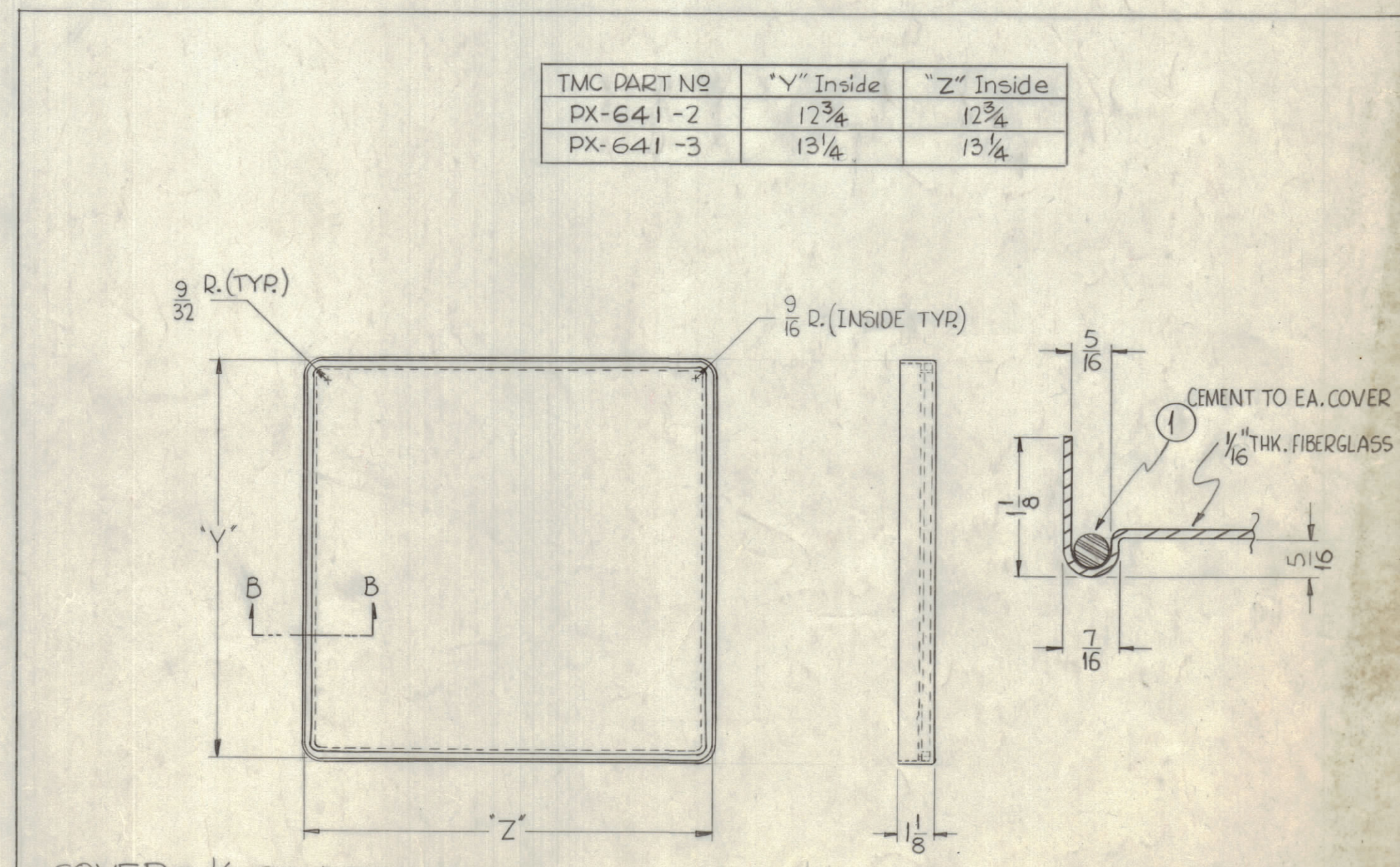


SYMBOL	DESCRIPTION	REQ.
A	1/4 DIA.	2
B	5/16 DIA.	1
C	1/2 DIA.	4
D	9/16 DIA.	2



CASE ~ PX-641 -1
3/32 THK. FIBERGLASS



TMC PART NO	"V" Inside	"Z" Inside
PX-641 -2	12 3/4	12 3/4
PX-641 -3	13 1/4	13 1/4

REQ. ITEM	PART NO.	DESCRIPTION	SYMBOL
1	MS6001-2	RING, REINFORCEMENT	
1	MS6001-1	RING, REINFORCEMENT	
2	DY-122-5-5000	GASKET, RUBBER	

AS NOTED		THE TECHNICAL MATERIEL CORP.	
STOCK SIZE		MAMARONECK, NEW YORK	
AS NOTED		CASE & COVER	

REQ. PER UNIT	MODEL	SECTION	ASSY. NO.	DATE
1	TRC-20K		A-2239	12-14-61

MATERIAL		FINISH & SPEC. NO.		ELEC. DES. APP.		MECH. DES. APP.		SHEET OF	
EPOXY GREY ENAMEL				2B		PX-641		B	

NOTICE TO PERSONS RECEIVING THIS DRAWING

THE TECHNICAL MATERIEL CORPORATION claims as proprietary right in the material disclosed herein. This drawing is issued in confidence for engineering information only and may not be reproduced or used to manufacture anything shown hereon without permission from THE TECHNICAL MATERIEL CORPORATION to the user. This drawing is loaned for mutual assistance and is subject to recall at any time.

Property of:
THE TECHNICAL MATERIEL CORPORATION

SYM	ZONE	DESCRIPTION	DATE	CH. NO.	DRAFTS	CHECKER	ENG. APP.
B		ITEMS 2 & 3 ADDED	10-11-66	17022			
A		ON P/N CHART (-2) WAS 12 3/8 X 12 3/8 (-3) WAS 13 1/4 X 13 1/4 13 3/16 ± 1/16 (2 PL.) WAS 12 15/16, 12 11/16 ± 1/16 (2 PL.) WAS 12 1/2	8.8.64	12051	ASB	RL	

UNLESS OTHERWISE SPECIFIED:
SCALE 1/4" = 1"

DIMENSIONS ARE IN INCHES
TOLERANCES ON
FRACTIONS ± 1/64 DECIMALS ± .005 ANGLES ± 1/2°

MAXIMUM ALLOWABLE TOLERANCES HAVE BEEN DETERMINED AND ANY DEVIATIONS WILL BE CAUSE FOR REJECTION.
REMOVE ALL BURRS & SHARP EDGES

PX-641 B