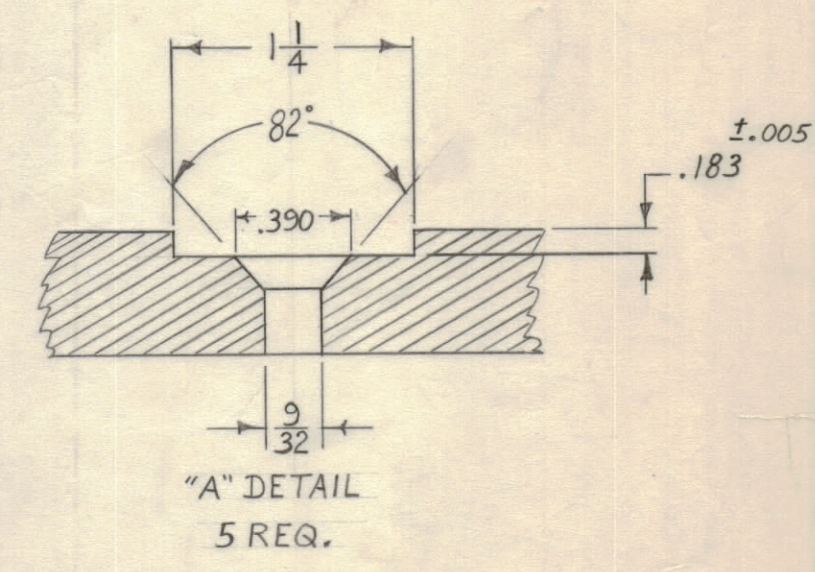
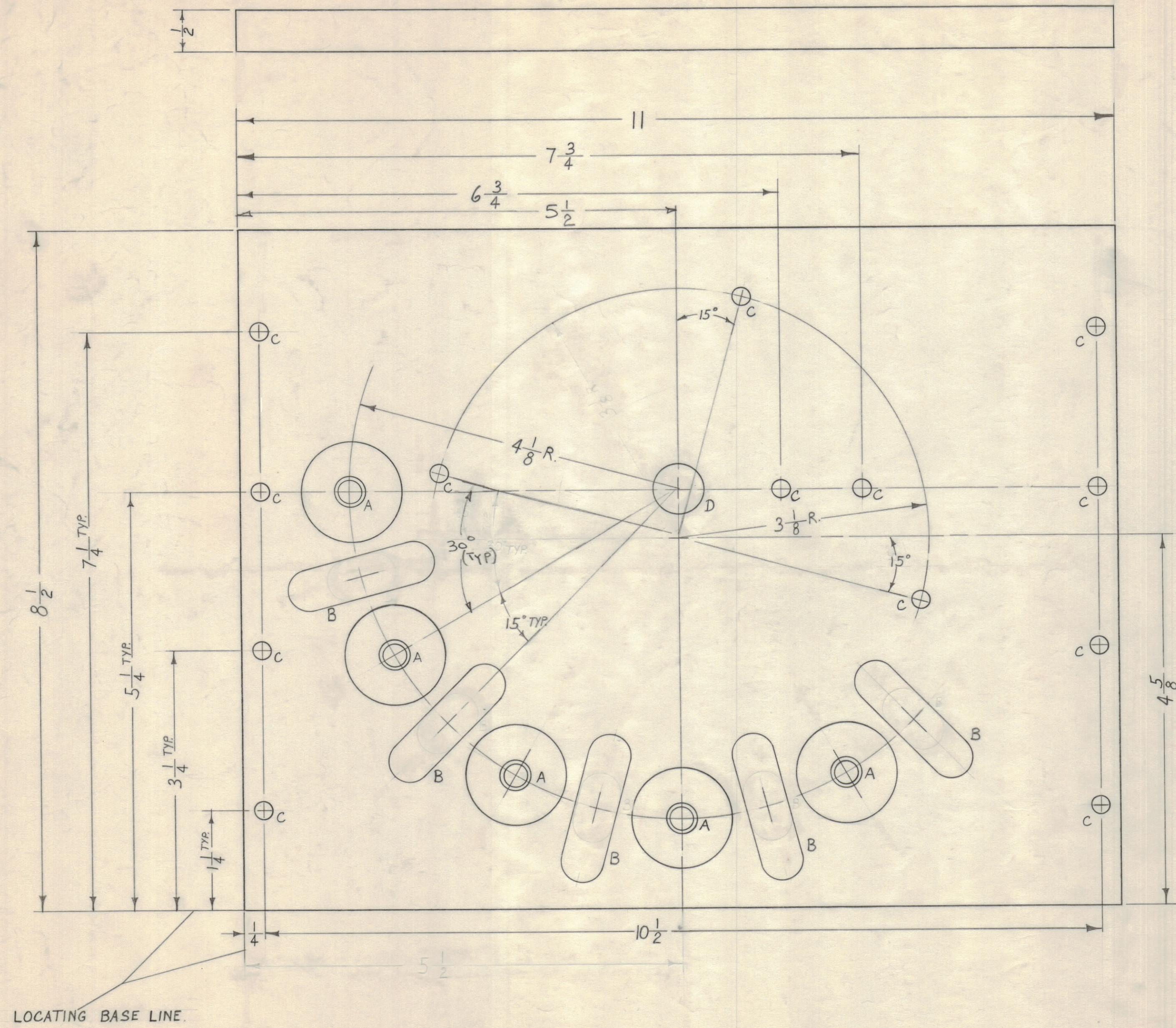


- A - SEE DETAIL 5 REQ.
- B - $\frac{1}{2} \times \frac{7}{8}$ SLOT 5 "
- C - $\frac{7}{32}$ DIA. 13 "
- D - .640 DIA. 1 "



LOCATING BASE LINE.

REQ. ITEM	PART NO.	DESCRIPTION	SYMBOL
1/2		THE TECHNICAL MATERIEL CORP.	
	STOCK SIZE	MAMARONECK, NEW YORK	
	SUPRAMICA 500	WAFER SWITCH, UNBAL BAND.	
	MATERIAL		
	TYPE & TEMPER		
	HEAT TREAT. SPEC.		
	FINISH & SPEC. NO.		

ISSUE	ZONE	DESCRIPTION	DATE	CH. NO.	DRAFTS	CHECKER	ENG. APP.
TOLERANCES			SCALE: FULL				
DEC. DIM. \pm			MAXIMUM ALLOWABLE TOLERANCES HAVE BEEN DETERMINED AND ANY DEVIATIONS WILL BE CAUSE FOR REJECTION.				
FRAC. DIM. \pm 1/64			REMOVE ALL BURRS AND SHARP EDGES				
ANGULAR DIM. \pm							

REQ PER UNIT	MODEL	SECTION	ASSY. NO.	DATE
1	ACU		A-1984	9-20-60