

PX-548 A

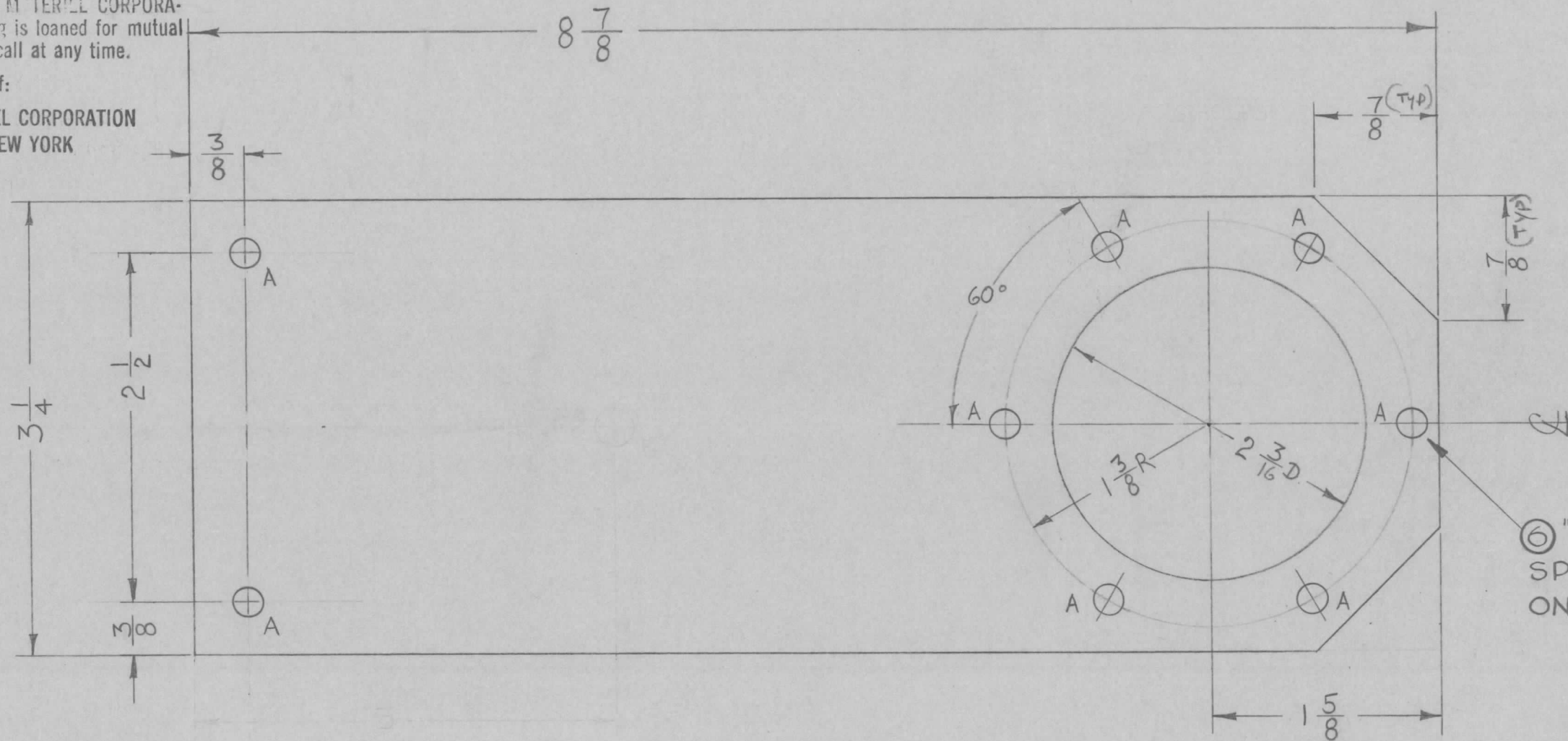
NOTICE TO PERSONS RECEIVING THIS DRAWING

THE TECHNICAL MATERIEL CORPORATION claims proprietary right in the material disclosed hereon. This drawing is issued in confidence for engineering information only and may not be reproduced or used to manufacture anything shown hereon without permission from THE TECHNICAL MATERIEL CORPORATION to the user. This drawing is loaned for mutual assistance and is subject to recall at any time.

Property of:  
THE TECHNICAL MATERIEL CORPORATION  
MAMARONECK, NEW YORK

A-13/64 (.203) D.

8 REQ



⑥ "A" HOLES EQUALLY SPACED 60° APART ON A 1-3/8" RADIUS.

REF - TMC DWG NO. LD-806 (Z)

ISSUE	ITEM	CHANGED FROM	DATE	CH. NO.	DRAFTS	CHECKER	ENG. APP.
A	1	B" 1/64" DELETED	7-19-60	2602		file	AS

TOLERANCES: DEC. DIM. ±, FRAC. DIM. ± 1/64, ANGULAR DIM. ±

SCALE: MAXIMUM ALLOWABLE TOLERANCES HAVE BEEN DETERMINED AND ANY DEVIATIONS WILL BE CAUSE FOR REJECTION. REMOVE ALL BURRS AND SHARP EDGES

2	GPT-40K	AT-101		4-11-60
REQ. PER UNIT	MODEL	PROJECT NO.	ASS'Y. NO.	DATE

USED ON

REQ. ITEM	PART NO.	DESCRIPTION	SYMBOL
1/4		THE TECHNICAL MATERIEL CORP. MAMARONECK, NEW YORK	
		SILICONE GLASS	
		SUPPORT	
		FIXED CAPACITOR	
G7			
TYPE & TEMPER	HEAT TREAT. SPEC.	DRAWN	CHECKED
		ASE	ASB
		PX-548	A
FINISH & SPEC. NO.	ELEC. DES. APP.	MECH. DES. APP.	