

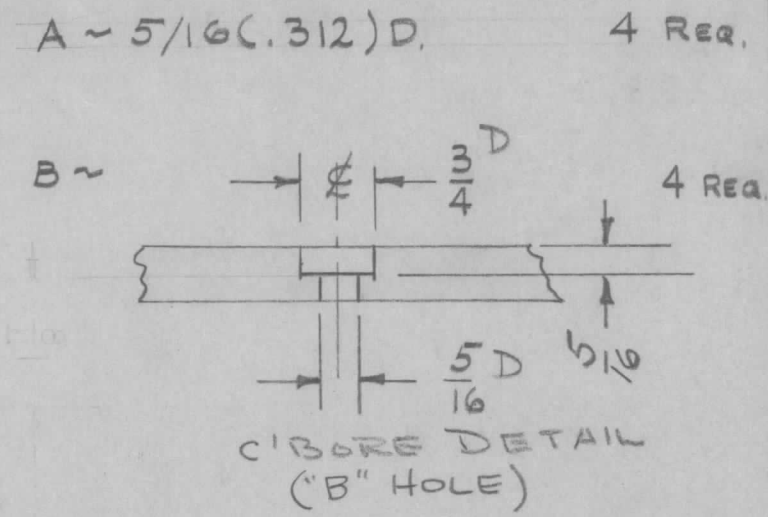
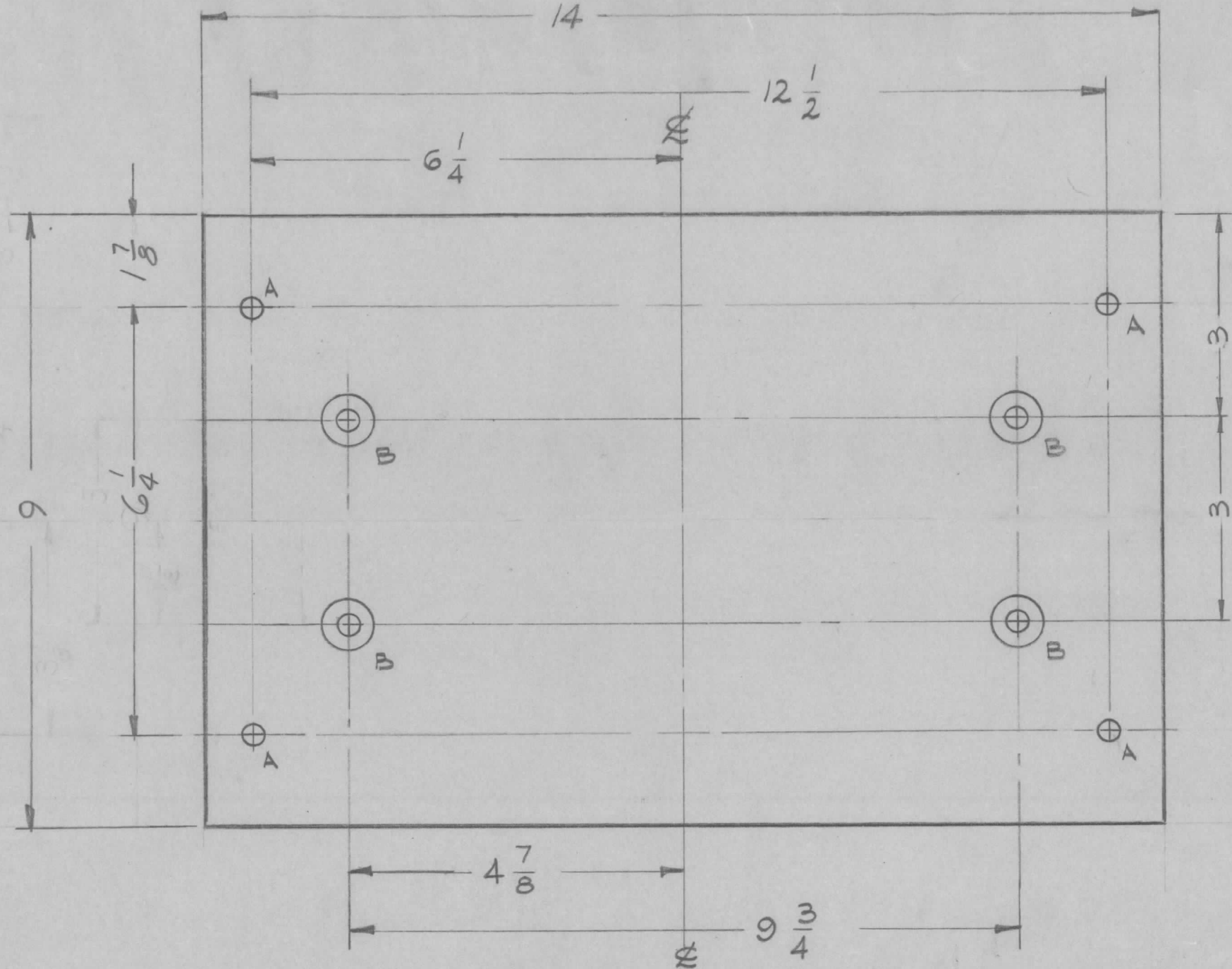
PX-541 D

NOT TO PERIODS RECEIVING THIS DRAWING

THE TECHNICAL MATERIEL CORPORATION claims proprietary right in the material disclosed herein. This drawing is issued in confidence or engineering information only and may not be reproduced or used to manufacture anything shown hereon without permission from THE TECHNICAL MATERIEL CORPORATION to the user. This drawing is loaned for mutual assistance and is subject to recall at any time.

Property of:

THE TECHNICAL MATERIEL CORPORATION
MAMARONECK, NEW YORK



* FUNGUS PROOFING PER. 5113 AFTER LETTERING.

REF-TMC DWG. LD-802 (2)
LD-2026(2)

ISSUE	ITEM	CHANGED FROM	DATE	CH. NO.	DRAFTS	CHECKER	ENG. APP.
D	1	CLERICAL CHANGE	12/16/65	CC	AKV	JCB	[Signature]
C		*NOTE ADDED	9/7/65	1266	AKV	JCB	[Signature]
B	2	1-1/2 DIM. DELETED					
B	1	3 DIM. ADDED TO "B" HOLES	9-28-61	5631	EG	ab	[Signature]
A	2	1 7/8 DIM. ADDED	3/27/61	4506	JOM	JCB	[Signature]
A	1	DELETED CENTERLINE (E)					

REQ. PER UNIT	MODEL	PROJECT NO.	ASS'Y. NO.	DATE
1	GPT40K(5)	AP-103	A4400	3-23-60
1	GPT-40K		A2830	

REQ. ITEM	PART NO.	DESCRIPTION	SYMBOL
1/2		THE TECHNICAL MATERIEL CORP. MAMARONECK, NEW YORK	
		BOARD, MAIN BREAKER	
		PHENOLIC	
		MATERIAL	
		MT/G.	
		TYPE & TEMPER	
		HEAT TREAT. SPEC.	
		* NATURAL	
		FINISH & SPEC. NO.	
		DRAWN	
		CHECKED	
		FINAL APPROVAL	
		ELEC. DES. APP.	
		MECH. DES. APP.	