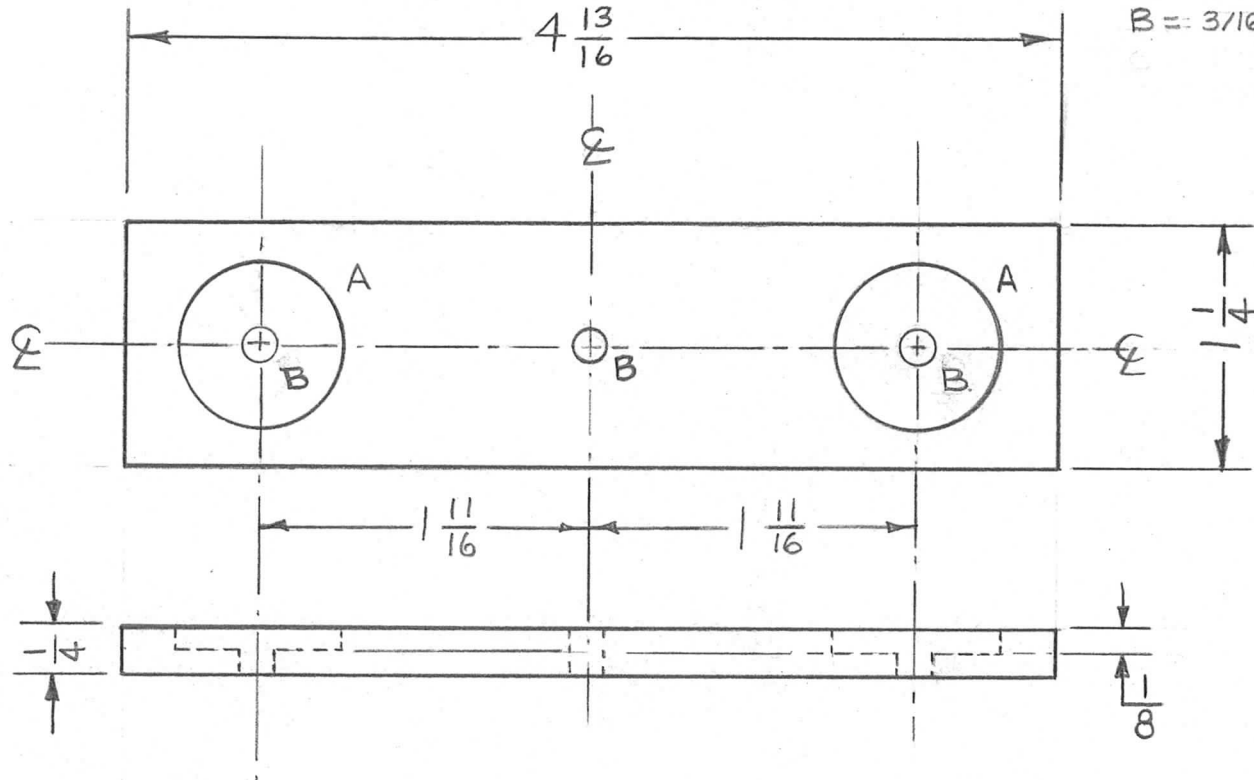


REQ. PER. UNIT	USED ON			PX-477	A
	MODEL	ASS'Y. NO.	DATE		
1	P.S.5 (PAL-1K)		6-16-59		

A = 7/8 (.875) D. X 1/8 DEEP
 B = 3/16 (.187) D. 3 REQ



* FUNGUS PROOFING PER
 TMC SPECIFICATION S-113

ISSUE	ITEM	CHANGED FROM	DATE	CH. NO.	DRAFTS	CHECKER	ENG. APP.	REQ. ITEM	PART NO.	DESCRIPTION	SYMBOL	
								1/4" THICK		THE TECHNICAL MATERIEL CORP. MAMARONECK, NEW YORK		
								STOCK SIZE				
A		S113 ADDED	4/13/64	11186	A.M.	<i>[Signature]</i>	<i>[Signature]</i>	XXXP PHENOLIC		BOARD, TUBE CLAMP		
TOLERANCES			SCALE: FULL (Do Not Scale)									
DEC. DIM. ± FRAC. DIM. ± 1/64 ANGULAR DIM. ±			MAXIMUM ALLOWABLE TOLERANCES HAVE BEEN DETERMINED AND ANY DEVIATIONS WILL BE CAUSE FOR REJECTION. REMOVE ALL BURRS AND SHARP EDGES									
								TYPE & TEMPER	HEAT TREAT. SPEC.	DRAWN	CHECKED	FINAL APPROVAL
								NATURAL	*			
								FINISH & SPEC. NO.		ELEC. DES. APP	MECH. DES. APP	PX-477 A