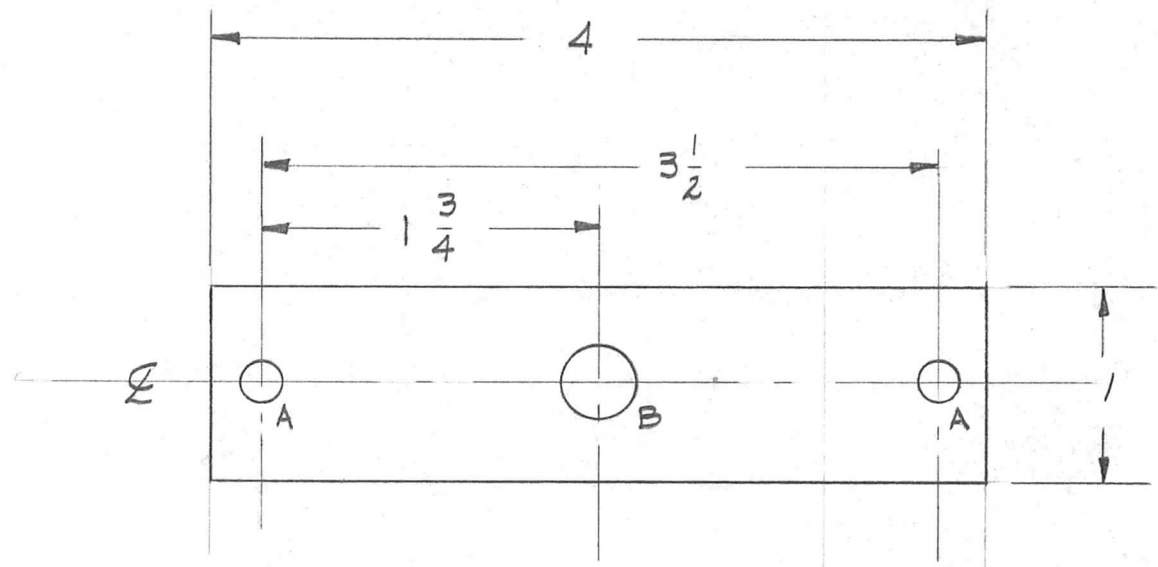


REQ. PER. UNIT	USED ON		
	MODEL	ASS'Y. NO.	DATE
1	GPT-10K	RFB-1	4/21/59
1	RFD-1/PALIK		6/25/59

PX-471 A



HOLES	REQ'D.
A - $\frac{13}{64}$ (.203)	2
B - $\frac{3}{8}$ (.375)	1

NOTICE TO PERSONS RECEIVING THIS DRAWING

THE TECHNICAL MATERIEL CORPORATION claims proprietary right in the material disclosed hereon. This drawing is issued in confidence for engineering information only and may not be reproduced or used to manufacture anything shown hereon without permission from THE TECHNICAL MATERIEL CORPORATION to the user. This drawing is loaned for mutual assistance and is subject to recall at any time.

*** FUNGUS PROOFING PER TMC SPECIFICATION S-113**

								REQ.	ITEM	PART NO.	DESCRIPTION	SYMBOL		
											THE TECHNICAL MATERIEL CORP. MAMARONECK, NEW YORK NEUTRALIZER MTG. BOARD			
										$\frac{1}{8}$				
										STOCK SIZE				
										PHENOLIC				
										MATERIAL				
										XXXX LAMINATE				
										TYPE & TEMPER	HEAT TREAT. SPEC.	DRAWN	CHECKED	FINAL APPROVAL
										*				
										FINISH & SPEC. NO.	ELEG. DES. APP	MECH. DES. APP	PX-471 A	
A				S113 ADDED				4/13/64	11186	AM.	JAD	QR		
ISSUE	ITEM	CHANGED FROM		DATE	CH. NO.	DRAFTS	CHECKER	ENG. APP.						
TOLERANCES				SCALE:										
DEC. DIM. ±				MAXIMUM ALLOWABLE TOLERANCES HAVE BEEN DETERMINED AND ANY DEVIATIONS WILL BE CAUSE FOR REJECTION.										
FRAC. DIM. ±				REMOVE ALL BURRS AND SHARP EDGES										
ANGULAR DIM. ±														