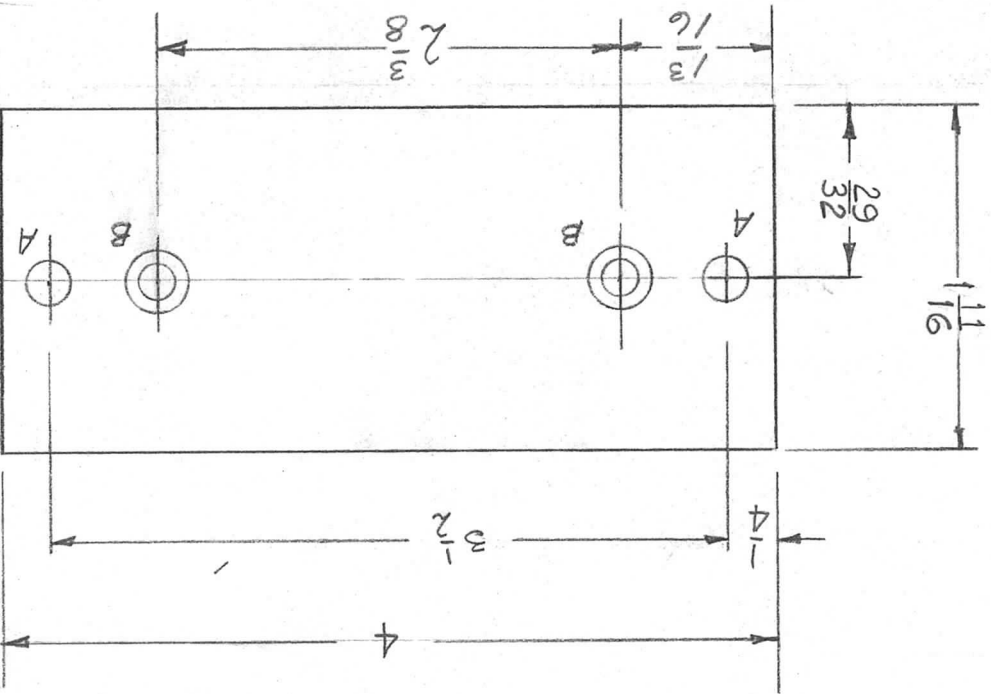


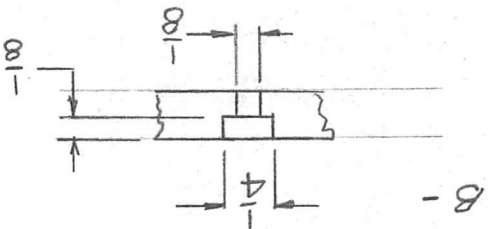
DEC. DIM. ±		TOLERANCES		DATE		SCALE:		REMOVED ALL BURS AND SHARP EDGES WILL BE CAUSE FOR REJECTION. BEEN DETERMINED AND ANY DEVIATIONS MAXIMUM ALLOWABLE TOLERANCES HAVE	
ANGULAR DIM. ±		CHANGED FROM		CH. NO.		DRAFTS		TYPE & TEMPER	
FRAC. DIM. ±		ITEM		4180		M.A.F.		HEATREAT. SPEC.	
1/64		29/32 DIM. ADDED		2-15-61		90%		FINISH & SPEC. NO.	
1/64		1 O/A DIM. 1 11/16 WAS 1 13/16				RK		NATURAL	
								ELEC. DES. APP	
								MECH. DES. APP	
								DRAWN	
								CHECKED	
								FINAL APPROVAL	
								PART NO.	
								REQ. ITEM	
								STOCK SIZE	
								1/4 THICK	
								MATERIAL	
								TEFLON	
								DESCRIPTION	
								THE TECHNICAL MATERIEL CORP.	
								MAMARONECK, NEW YORK	
								INSULATOR PLATE	
								NEUTRALIZING CAP.	
								SYMBOL	
								A	



Property of:
 THE TECHNICAL MATERIEL CORPORATION
 MAMARONECK, NEW YORK

THIS DRAWING IS ISSUED IN CONFIDENCE FOR ENGINEERING INFORMATION ONLY AND MAY NOT BE REPRODUCED OR USED TO MANUFACTURE ANYTHING SHOWN HEREON WITHOUT PERMISSION FROM THE TECHNICAL MATERIEL CORPORATION TO THE USER. THIS DRAWING IS LOANED FOR MUTUAL ASSISTANCE AND IS SUBJECT TO RECALL AT ANY TIME.

NOTICE TO PERSONS RECEIVING THIS DRAWING



A - 1 11/16 (1.71) DIM HOLE 2 REQ

1	QPT-10KM	3-17-59	PX-4GS	A
PER UNIT	MODEL	DATE		
	ASSY. NO.			
	USED ON			