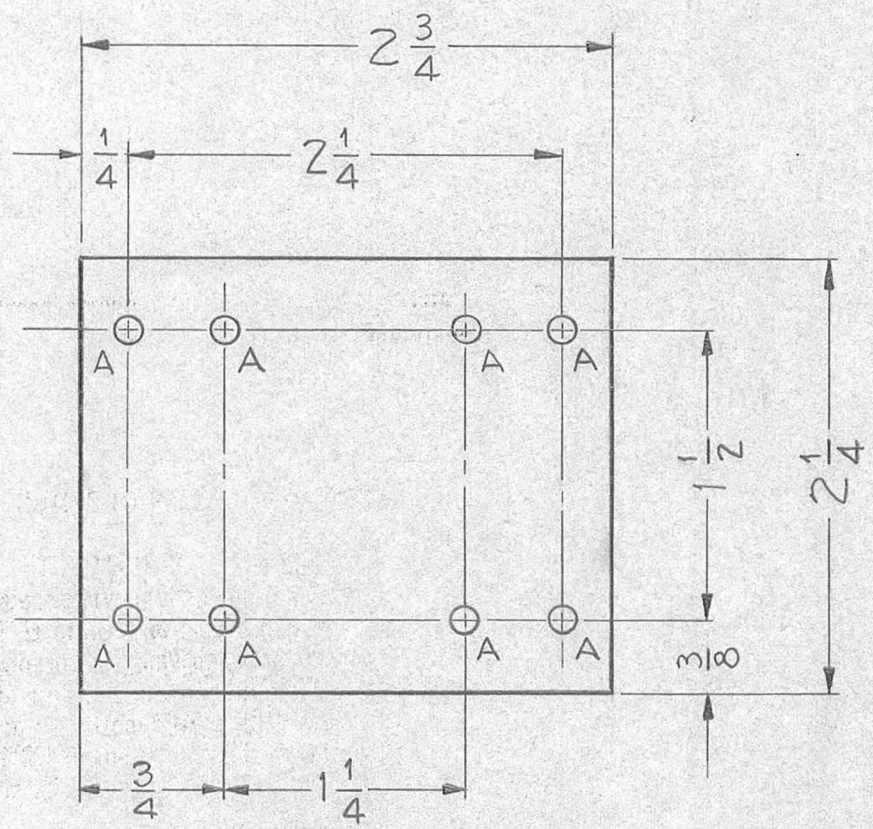


REQ. PER UNIT	USED ON			PX-456	A
	MODEL	ASS'Y. NO.	DATE		
1	GPT 10K	RELAY Panel	2-14-59		

A - 9/64 (.140) DIA.

8 Req.



NOTICE TO PERSONS RECEIVING THIS DRAWING

THE TECHNICAL MATERIEL CORPORATION claims proprietary right in the material disclosed hereon. This drawing is issued in confidence for engineering information only and may not be reproduced or used to manufacture anything shown hereon without permission from THE TECHNICAL MATERIEL CORPORATION to the user. This drawing is loaned for mutual assistance and is subject to recall at any time.

Property of:
THE TECHNICAL MATERIEL CORPORATION
MAMARONECK, NEW YORK

* FUNGUS PROOFING PER
TMC SPECIFICATION S-113

REQ.	ITEM	PART NO.	DESCRIPTION				SYMBOL
		1/16	THE TECHNICAL MATERIEL CORP.				
		STOCK SIZE	MAMARONECK, NEW YORK				
A	S113 ADDED	4-13-64 11186	BOARD, RELAY MOUNTING				
		PHENOLIC	(RELAY MOUNTING PANEL)				
		MATERIAL					
		XXXXP	J.C. BIELE				
TOLERANCES			SCALE:				
DEC. DIM. ±			MAXIMUM ALLOWABLE TOLERANCES HAVE BEEN DETERMINED AND ANY DEVIATIONS WILL BE CAUSE FOR REJECTION.				
FRAC. DIM. ± 1/64			REMOVE ALL BURRS AND SHARP EDGES				
ANGULAR DIM. ±			TYPE & TEMPER	HEAT TREAT. SPEC.	DRAWN	CHECKED	FINAL APPROVAL
			NATURAL *		PRN	SP	PX-456
			FINISH & SPEC. NO.	ELEC. DES. APP	MECH. DES. APP		A