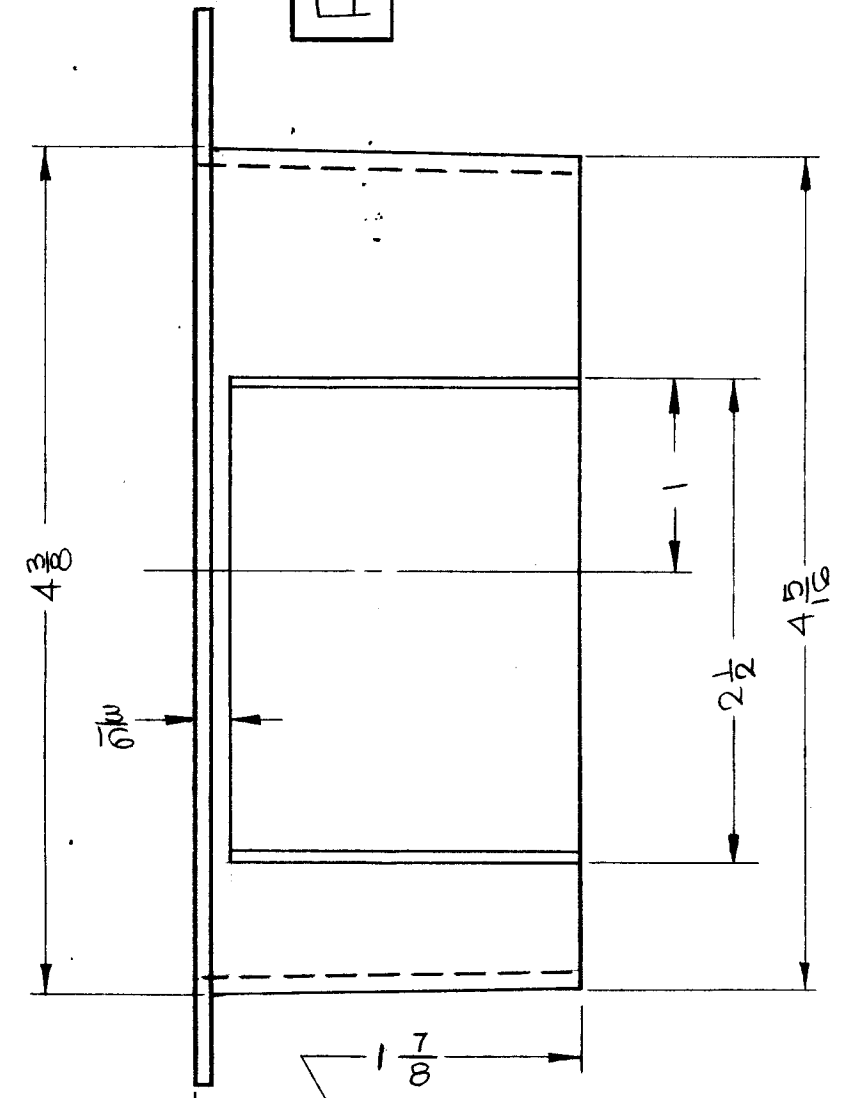
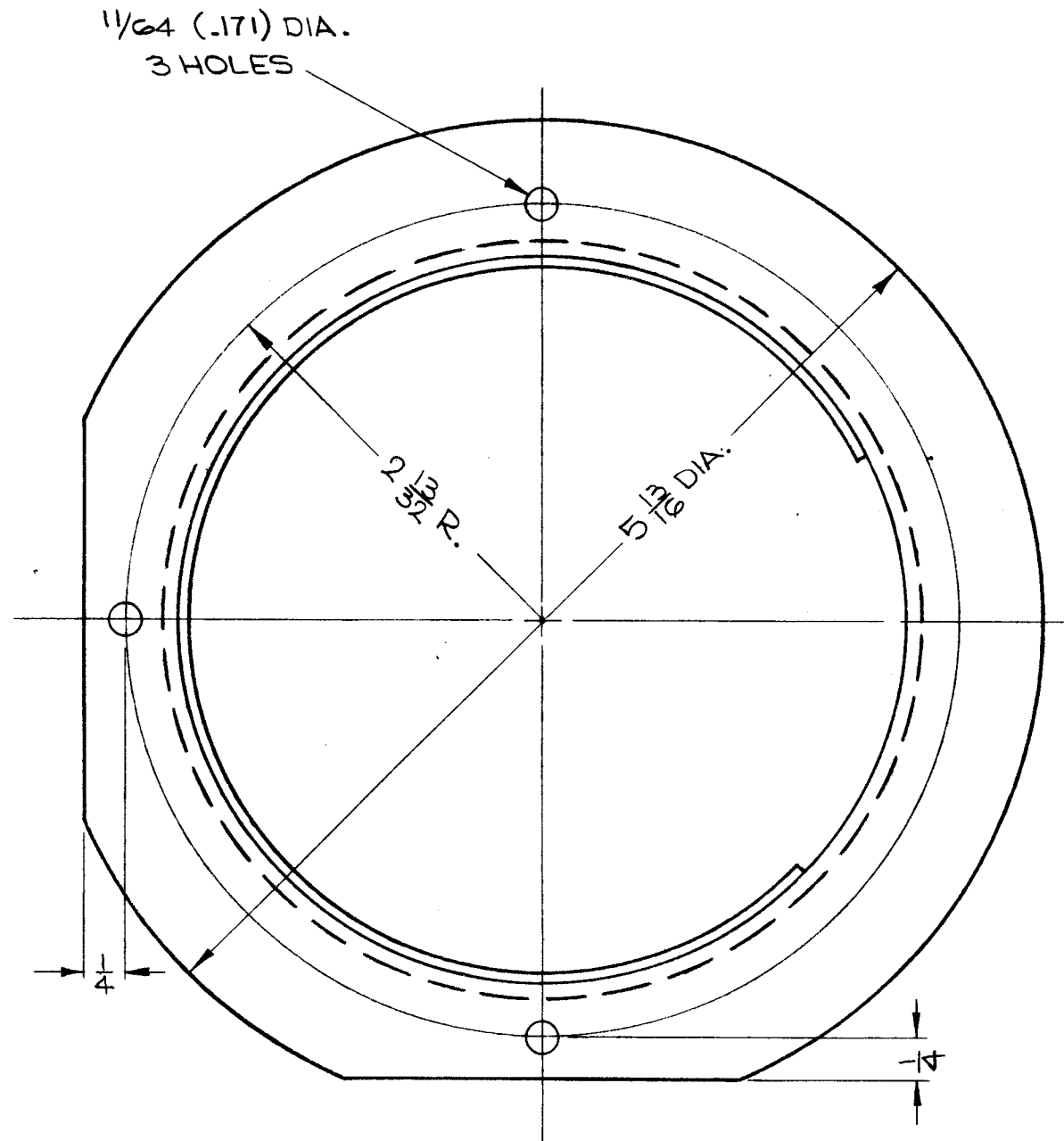


PX-439 E

REVISIONS

SYM	DESCRIPTION	DATE	E.M.N. NO.	DRAFT	CHKD	APPD
D	REVISED & REDRAWN	11-14-63	10361	<i>[Signature]</i>	<i>[Signature]</i>	<i>[Signature]</i>
E	1 7/8" DIM WAS 2"	4-15-64	11223	A.M.	<i>[Signature]</i>	<i>[Signature]</i>



REQ'D.	ITEM	PART NUMBER	DESCRIPTION	SYMBOL
LIST OF MATERIAL				
MATERIAL FIBERGLASS - 3/32 ± 1/32 THK			THE TECHNICAL MATERIEL CORP. MAMARONECK, NEW YORK	
FINISH			TITLE FLUE, EXHAUST	
UNLESS OTHERWISE SPECIFIED DIMENSIONS ARE IN INCHES AND INCLUDE CHEMICALLY APPLIED OR PLATED FINISHES			DRAWN <i>[Signature]</i> DATE 11-14-63	FINAL APPROVAL <i>[Signature]</i> DATE 11-15-63
DECIMALS .X ± .05 .XX ± .01 .XXX ± .005			TOLERANCES ± 1/64 ANGLES ± 0° 30'	DATE 11-15-63 DATE 
SCALE 1:1			MECH. DES. DATE	SHEET PX-439 REV. LTR. E

Q'TY./UNIT	MODEL USED ON	ASS'Y. NO.
1	RFD-1/PAL-1K	
1	RFB-1/GPT-1OK	
SCALE	CODE	
1:1		

NOTES

THE CONTENTS OF THIS DRAWING ARE THE EXCLUSIVE PROPERTY OF THE TECHNICAL MATERIEL CORP. ITS UNAUTHORIZED USE OR REPRODUCTION IN WHOLE OR IN PART IS STRICTLY FORBIDDEN.