

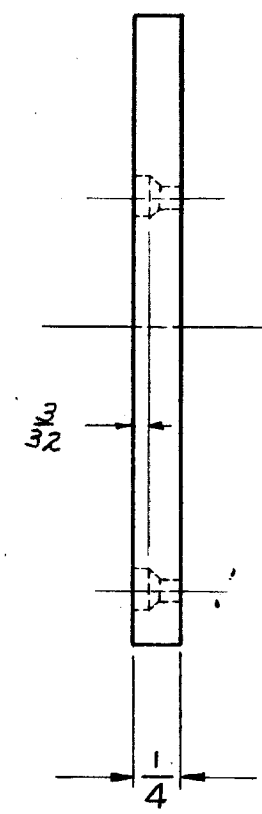
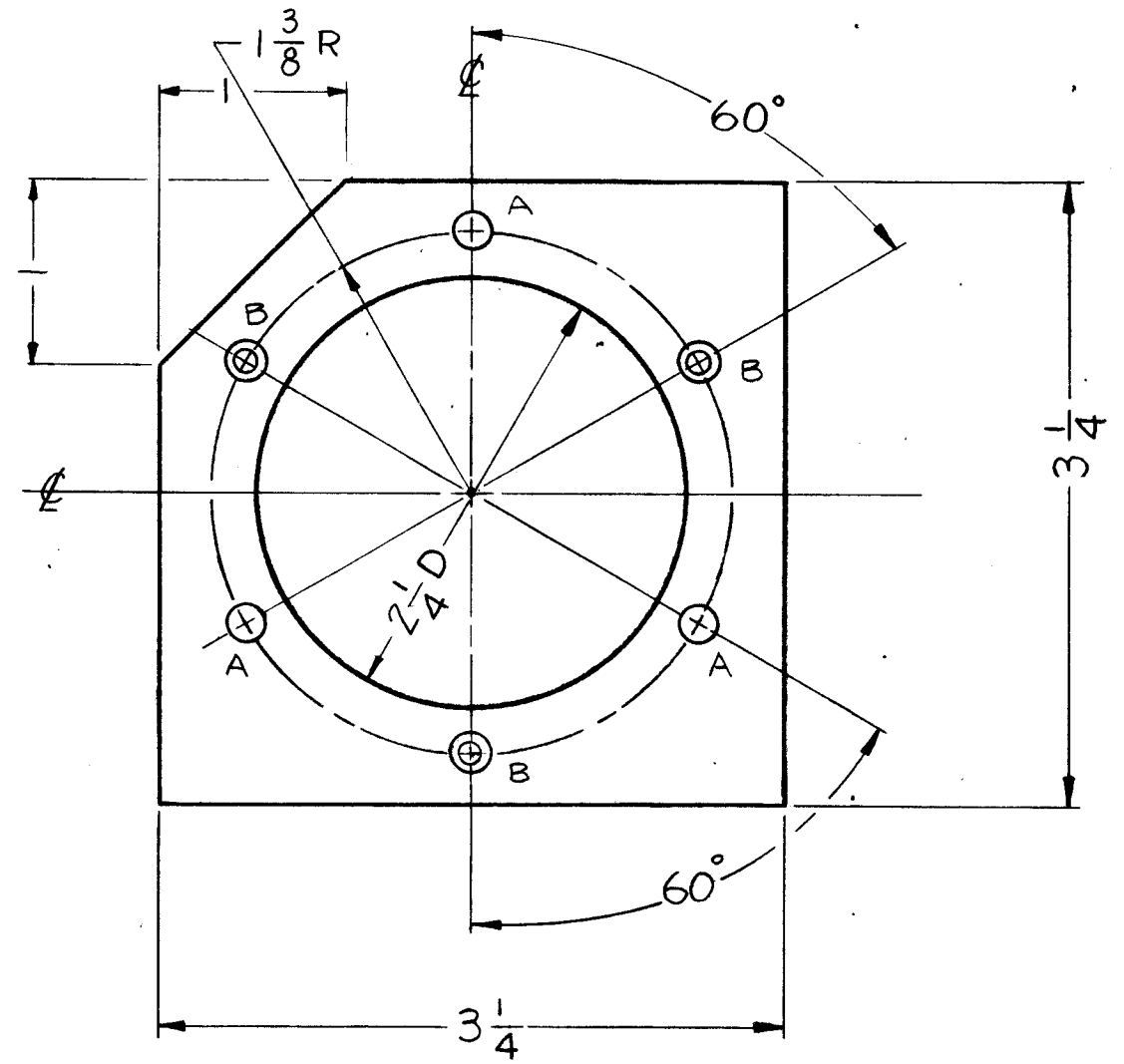
PX-428

WARNING TO PERSONS RECEIVING THIS DRAWING

THE TECHNICAL MATERIEL CORPORATION claims proprietary right in the material disclosed hereon. This drawing is issued in confidence for engineering information only and may not be reproduced or used to manufacture anything shown hereon without permission from THE TECHNICAL MATERIEL CORPORATION to the user. This drawing is loaned for mutual assistance and is subject to recall at any time.

Property of:
THE TECHNICAL MATERIEL CORPORATION
MAMARONECK, NEW YORK

A ~ 3/16 (.187) DIA. 3 HOLES REQ.
B ~ DRILL & C'SK FOR 6-32 3 REQ.



ISSUE	ITEM	CHANGED FROM	DATE	CH. NO.	DRAFTS	CHECKER	ENG. APP.
A		CORNER NOTCHED 1"x1"	12-31-58	619	J.C.B.	<i>[Signature]</i>	<i>[Signature]</i>
TOLERANCES			SCALE: FULL SIZE				
DEC. DIM. ±			MAXIMUM ALLOWABLE TOLERANCES HAVE BEEN DETERMINED AND ANY DEVIATIONS WILL BE CAUSE FOR REJECTION: REMOVE ALL BURRS AND SHARP EDGES				
FRAC. DIM. ± 1/64							
ANGULAR DIM. ±							

REQ. PER UNIT	MODEL	PROJECT NO.	ASSY. NO.	DATE
	GPT 10,000	IPA		12-3-58
USED ON				

REQ.	ITEM	PART NO.	DESCRIPTION			SYMBOL
		1/4 Thick	THE TECHNICAL MATERIEL CORP.			
		STOCK SIZE	MAMARONECK, NEW YORK			
		PHENOLIC	MTG PLATE, CAPACITOR			
		MATERIAL				
		XXXXP	JB	JAD	AMB	
		TYPE & TEMPER	DRAWN	CHECKED	FINAL APPROVAL	
		NATURAL	ATB	<i>[Signature]</i>		
		FINISH & SPEC. NO.	ELEC. DES. APP	MECH. DES. APP		PX-428