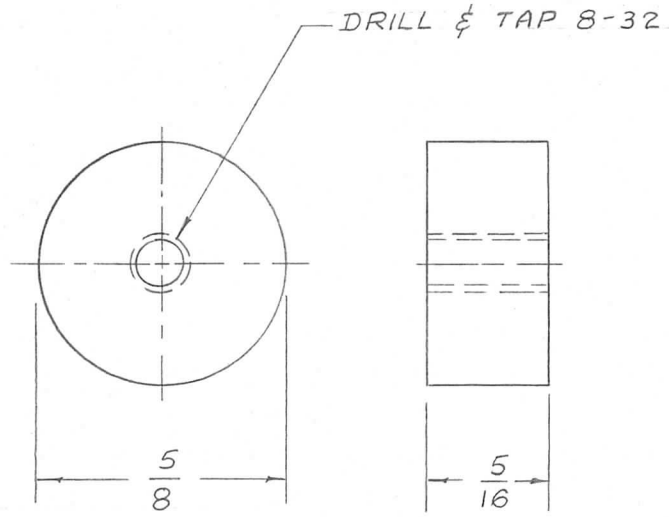


REQ. PER UNIT	USED ON			PX-331
	MODEL	ASS'Y. NO.	DATE	
4	CAB. FRAME		2-10-56	
4	CAB-7		10-24-58	



REQ.	ITEM	PART NO.	DESCRIPTION		SYMBOL		
		$\frac{5}{8}$ D. x $\frac{5}{16}$ THK.	THE TECHNICAL MATERIEL CORP.				
		STOCK SIZE	MAMARONECK, NEW YORK				
		PHENOLIC	SPRING CENTERING BUSHING				
		MATERIAL					
ISSUE	ITEM	CHANGED FROM	DATE	CH. NO.	DRAFTS	CHECKER	ENG. APP.
TOLERANCES			SCALE:				
DEC. DIM. \pm			MAXIMUM ALLOWABLE TOLERANCES HAVE BEEN DETERMINED AND ANY DEVIATIONS WILL BE CAUSE FOR REJECTION.				
FRAC. DIM. \pm			REMOVE ALL BURRS AND SHARP EDGES				
ANGULAR DIM. \pm							
TYPE & TEMPER		HEAT TREAT. SPEC.	DRAWN	CHECKED	FINAL APPROVAL		
NATURAL					PX-331		
FINISH & SPEC. NO.			ELEC. DES. APP.	MECH. DES. APP.			