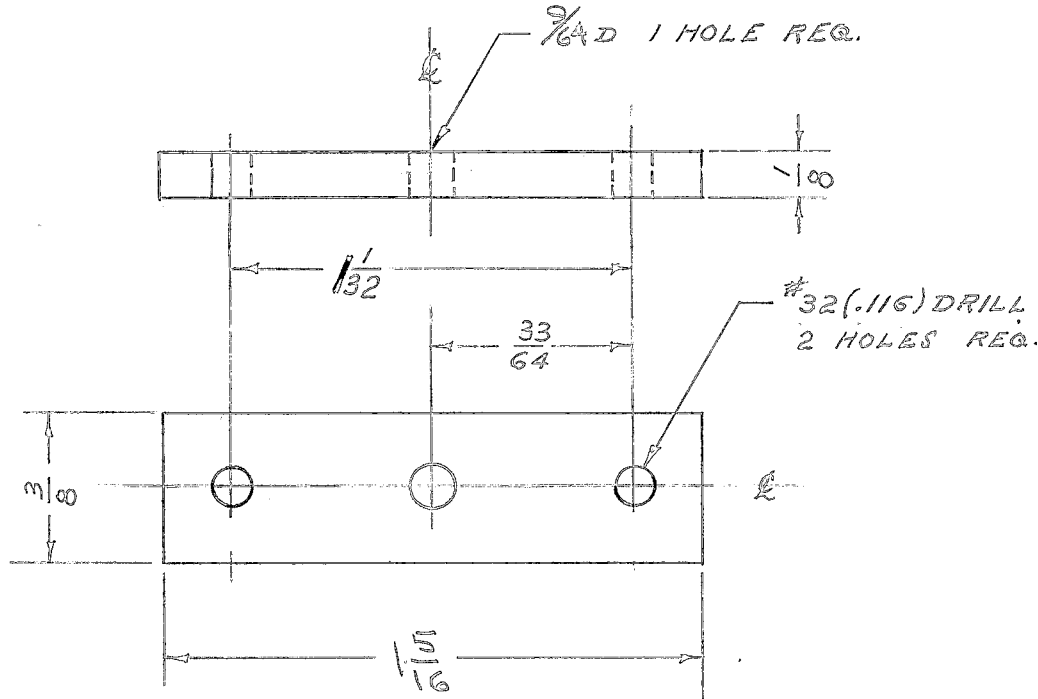


IF IT IS FOUND DESIRABLE TO CHANGE ANY TOLERANCE OR OTHER DETAIL SPECIFIED ON THIS DRAWING NOTIFY THE PURCHASER PROMPTLY.

PX-270 B

MAXIMUM ALLOWABLE TOLERANCES HAVE BEEN DETERMINED AND DEVIATIONS WILL BE CAUSE FOR REJECTION. REMOVE ALL BURRS AND SHARP EDGES

REQ. PER UNIT	USED ON			
	MODEL	PROJECT NO.	ASS'Y. NO.	DATE
1	GPR			3-30-55



REQ.	ITEM	PART NO.	DESCRIPTION	SYMBOL
		1/8 X 3/8	THE TECHNICAL MATERIEL CORP.	
		STOCK SIZE	MAMARONECK. NEW YORK	
		BAKELITE	MOUNTING BOARD	
		MATERIAL	WEIGHT PER PC.	
		XXXP	AUDIO SELECTIVITY TOROID	
		TYPE & TEMPER	A.B. 30-55	
			DRAWN	ELEC. DES. APP.
			HEAT TREAT. SPEC.	MECH. DES. APP.
		NATURAL	CHECKED	FINAL APPROVAL
		FINISH & SPEC. NO.		

ISSUE	ITEM	CHANGED FROM	DATE	CN. NO.	DRAFTS	CHECKER	ENG. APP.
B	1	15/16 WAS 13/8	5/1/55	2	ESS	HTT	WJZ
A	1	3/64 WAS 1/8	5/1/55	1	ESS	HTT	WJZ

TOLERANCES		SCALE
ALL OTHERS	DEC. DIM. ± FRAC. DIM. ± 1/64 ANGULAR DIM. ±	DRILL, PUNCH, COMMERCIAL STOCK SIZES AND MANUFACTURERS TOLERANCES ARE NOT INCLUDED.

PX-270 B