

IF IT IS FOUND DESIRABLE TO CHANGE ANY TOLERANCE OR OTHER DETAIL SPECIFIED ON THIS DRAWING NOTIFY THE PURCHASER PROMPTLY.

PX-261

MAXIMUM ALLOWABLE TOLERANCES HAVE BEEN DETERMINED AND DEVIATIONS WILL BE CAUSE FOR REJECTION. REMOVE ALL BURRS AND SHARP EDGES

REQ. PER UNIT

USED ON

MODEL

PROJECT NO.

ASS'Y. NO.

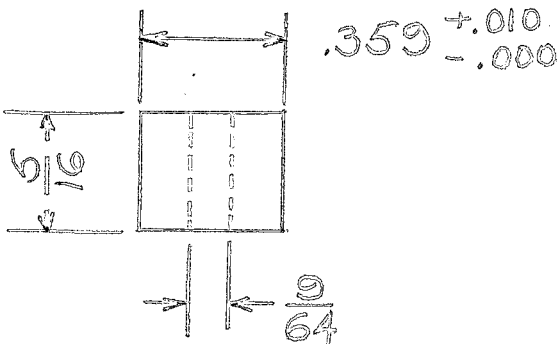
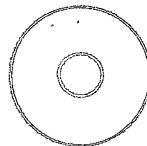
DATE

18

GPR

297

2-25-55



REQ.	ITEM	PART NO.	DESCRIPTION	SYMBOL
			THE TECHNICAL MATERIEL CORP.	
			MAMARONECK. NEW YORK	
			POLYETHYLENE	COIL FORM PLUG
			MATERIAL	WEIGHT PER PC.
			Approx 90 Diameter	
			TYPE & TEMPER	PLK. 2-25-55
			DRAWN	ELEC. DES. APP. <i>HH</i> MECH. DES. APP. <i>WOL</i>
			HEAT TREAT. SPEC.	G.T.O
			FINISH & SPEC. NO.	PX-261

ISSUE	ITEM	CHANGED FROM	DATE	CN. NO.	DRAFTS	CHECKER	ENG. APP.

TOLERANCES

SCALE

ALL OTHERS

DEC. DIM. \pm $\begin{matrix} +.010 \\ -.000 \end{matrix}$
 FRAC. DIM. \pm 1/64
 ANGULAR DIM. \pm

DRILL, PUNCH, COMMERCIAL STOCK SIZES AND MANUFACTURERS TOLERANCES ARE NOT INCLUDED.