

IF IT IS FOUND DESIRABLE TO CHANGE ANY TOLERANCE OR OTHER DETAIL SPECIFIED ON THIS DRAWING NOTIFY THE PURCHASER PROMPTLY.

PX-247

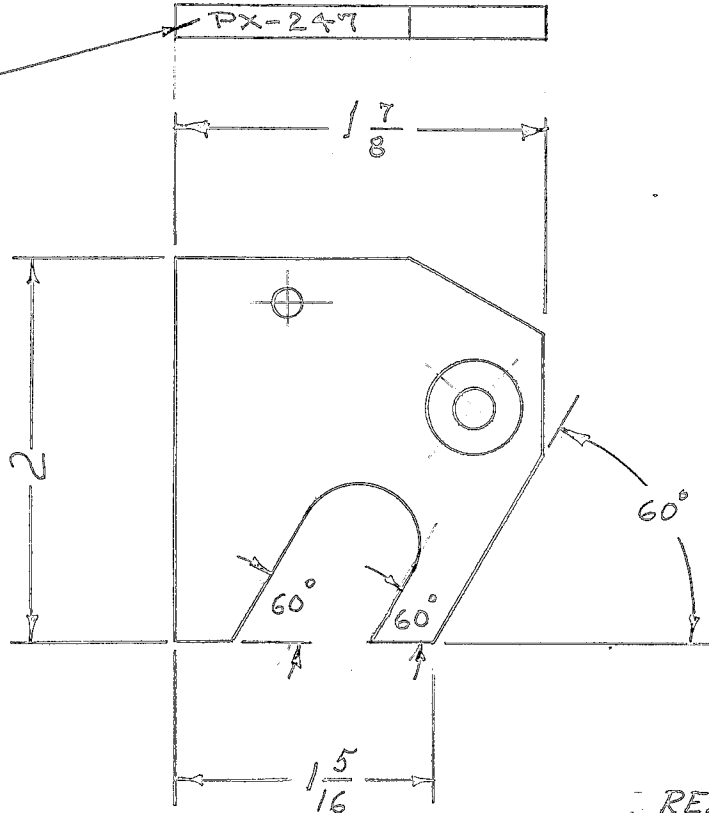
MAXIMUM ALLOWABLE TOLERANCES HAVE BEEN DETERMINED AND DEVIATIONS WILL BE CAUSE FOR REJECTION. REMOVE ALL BURRS AND SHARP EDGES

REQ. PER. UNIT.

USED ON

REQ. PER. UNIT.	MODEL	PROJECT NO.	ASS'Y. NO.	DATE
1	TAC-1	132	ED-134	11-11-54

STAMP AS SHOWN



REF: USE PX-236

REQ.	ITEM	PART NO.	DESCRIPTION	SYMBOL
		1/4 THK.	THE TECHNICAL MATERIEL CORP.	
		STOCK SIZE	MAMARONECK. NEW YORK	
	TEFLON	-4-	MODIFIED SPACER PLATE	
	MATERIAL	WEIGHT PER PC.	ROTOR SWITCH TAC-1	
		TYPE & TEMPER	P.B. 11-11-54	and
			DRAWN	ELEC. DES. APP. MECH. DES. APP.
		HEAT TREAT. SPEC.	and	
		FINISH & SPEC. NO.	CHECKED	FINAL APPROVAL
				PX-247

ISSUE ITEM CHANGED FROM DATE CN. NO. DRAFTS CHECKER ENG. APP.

TOLERANCES

SCALE

ALL OTHERS

DEC. DIM. ±  
FRAC. DIM. ± 1/64  
ANGULAR DIM. ±

DRILL, PUNCH, COMMERCIAL STOCK SIZES AND MANUFACTURERS TOLERANCES ARE NOT INCLUDED.