

IF IT IS FOUND DESIRABLE TO CHANGE ANY TOLERANCE OR OTHER DETAIL SPECIFIED ON THIS DRAWING NOTIFY THE PURCHASER PROMPTLY.

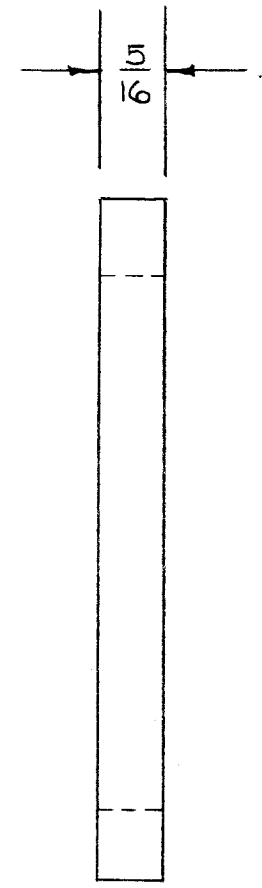
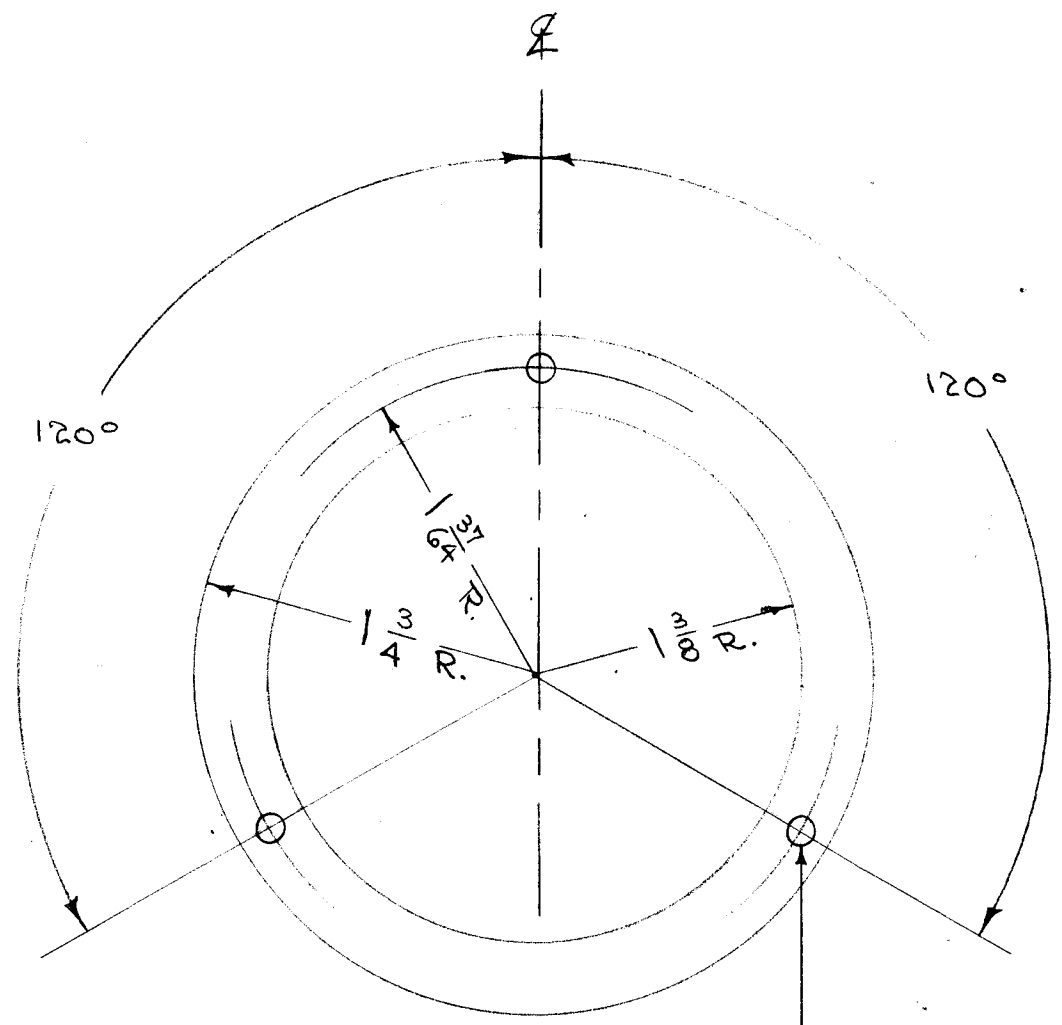
MAXIMUM ALLOWABLE TOLERANCES HAVE BEEN DETERMINED AND DEVIATIONS WILL BE CAUSE FOR REJECTION. REMOVE ALL BURRS AND SHARP EDGES

PX-216

NOTICE TO PERSONS RECEIVING THIS DRAWING

THE TECHNICAL MATERIEL CORPORATION claims proprietary right in the material disclosed hereon. This drawing is issued in confidence for engineering information only and may not be reproduced or used to manufacture anything shown hereon without permission from THE TECHNICAL MATERIEL CORPORATION to the user. This drawing is loaned for mutual assistance and is subject to recall at any time.

Property of:  
THE TECHNICAL MATERIEL CORPORATION  
MAMARONECK, NEW YORK



5/32 (.156) D. 3 HOLES REQ.

REQ.	ITEM	PART NO.	DESCRIPTION	SYMBOL
		5/16 THK.	THE TECHNICAL MATERIEL CORP. MAMARONECK. NEW YORK	
		STOCK SIZE		
	PHENOLIC	—#—	RING, METER SPACING	
	MATERIAL	WEIGHT PER PC.	TAC-1	
	XXX LAMINATE			
	TYPE & TEMPER		C.D.D.	
			DRAWN	
			ELEC. DES. APP.	
			MECH. DES. APP.	
			HEAT TREAT. SPEC.	
			CHECKED	
			FINAL APPROVAL	
				PX-216
			BLACK	
			FINISH & SPEC. NO.	

ISSUE	ITEM	CHANGED FROM	DATE	CN. NO.	DRAFTS	CHECKER	ENG. APP.
TOLERANCES							
SCALE: #							
DRILL, PUNCH, COMMERCIAL STOCK SIZES AND MANUFACTURERS TOLERANCES ARE NOT INCLUDED.							

2	TAC-1	132	A-715	1-20-54
REQ. PER UNIT	MODEL	PROJECT NO.	ASS'Y. NO.	DATE

USED ON