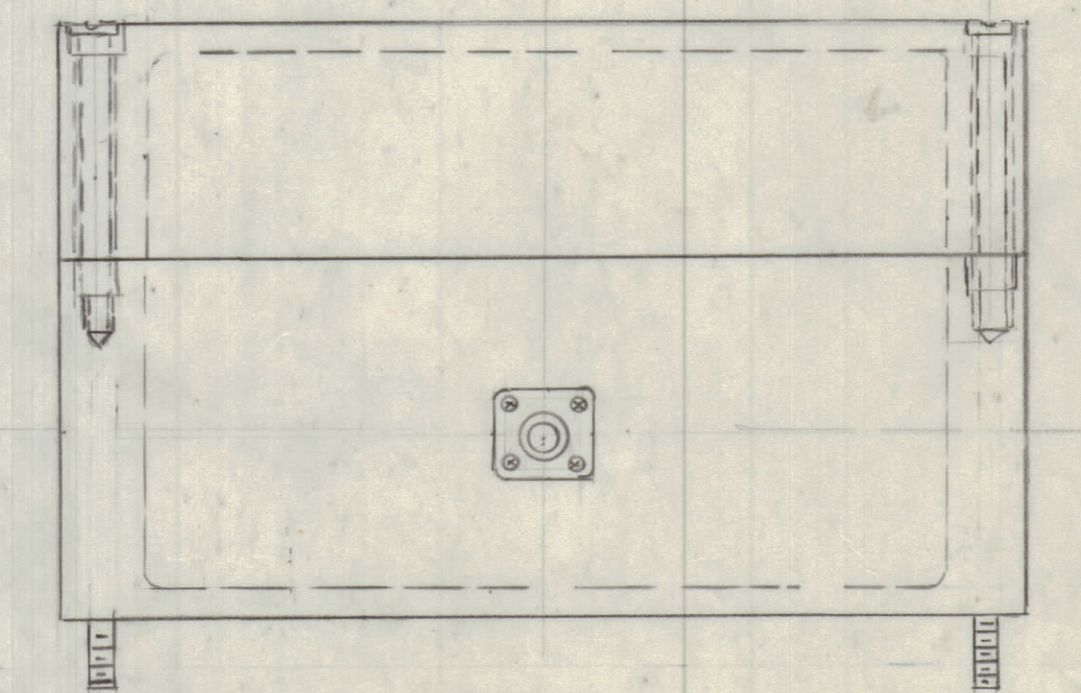
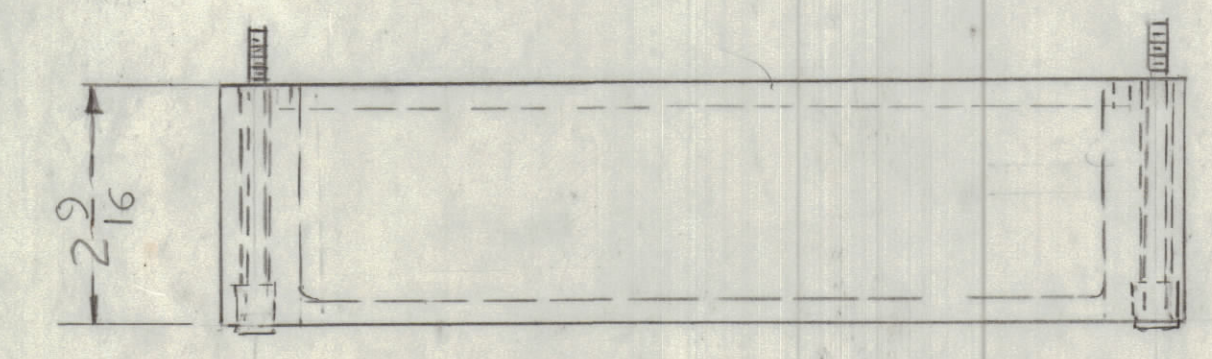
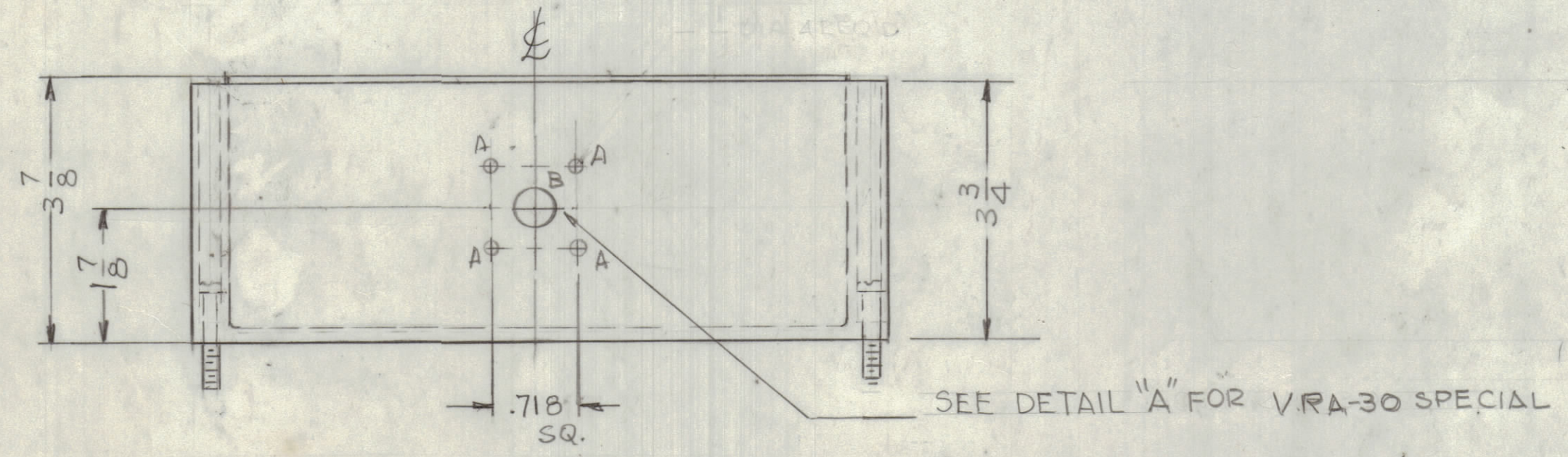
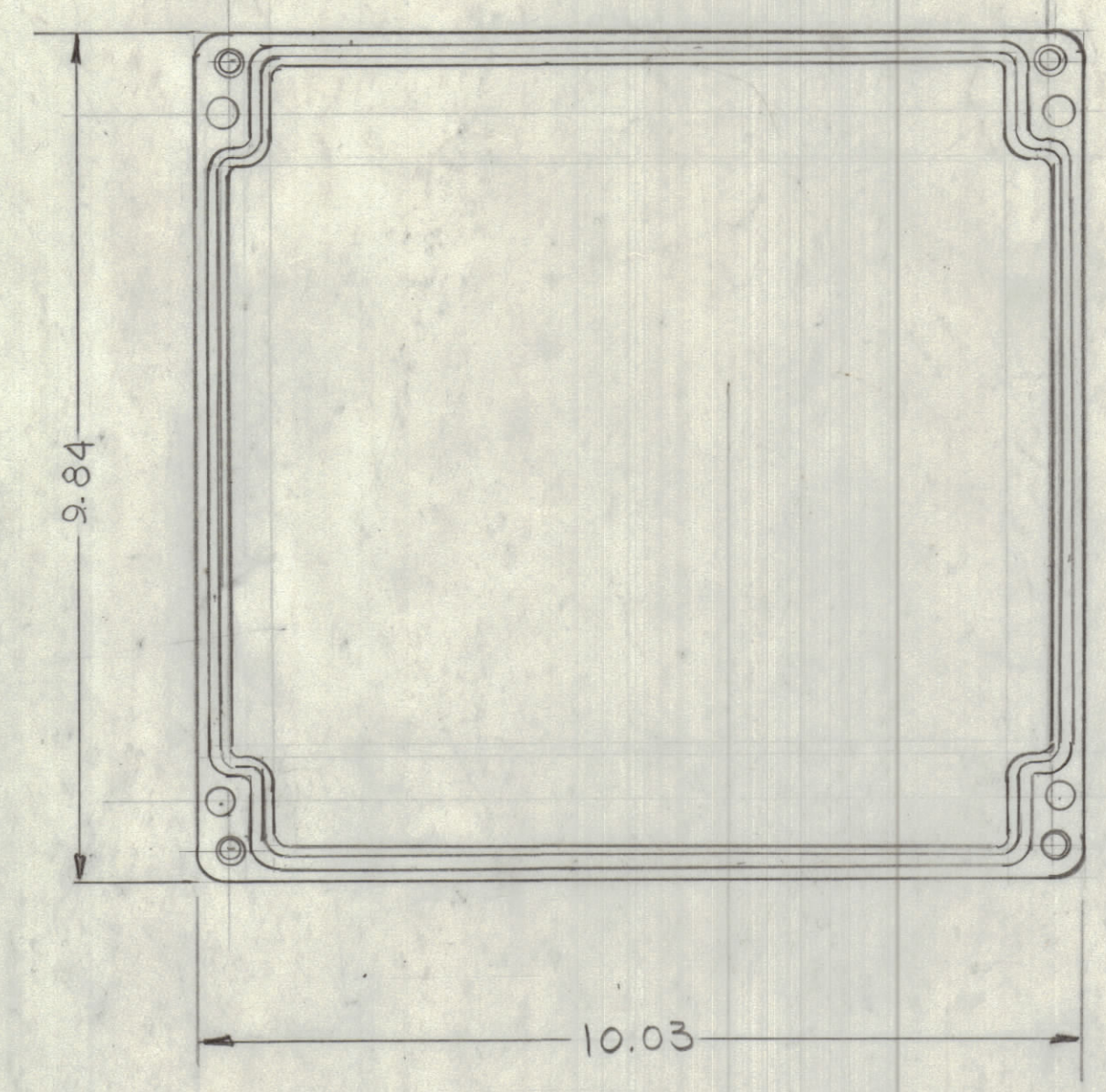
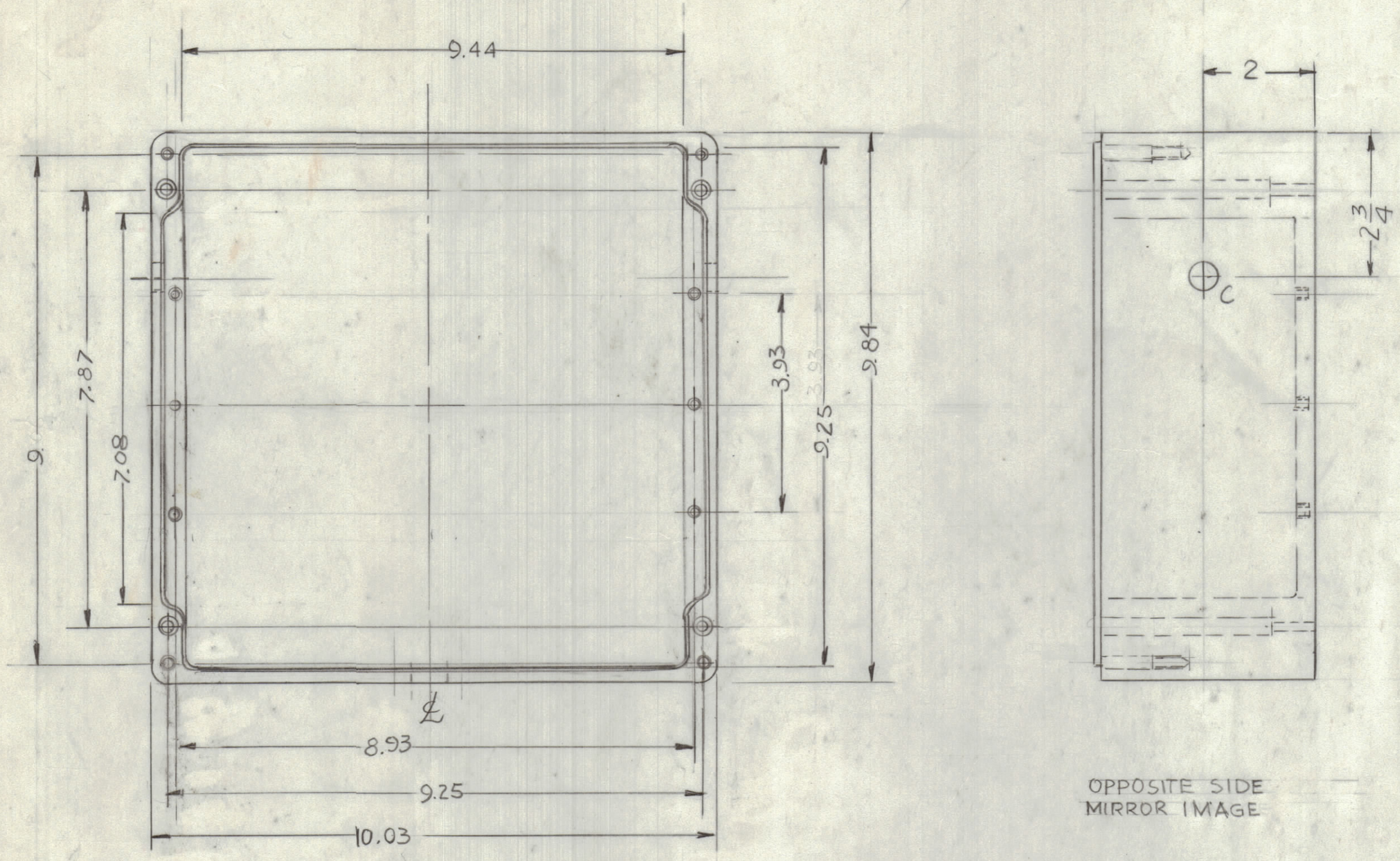
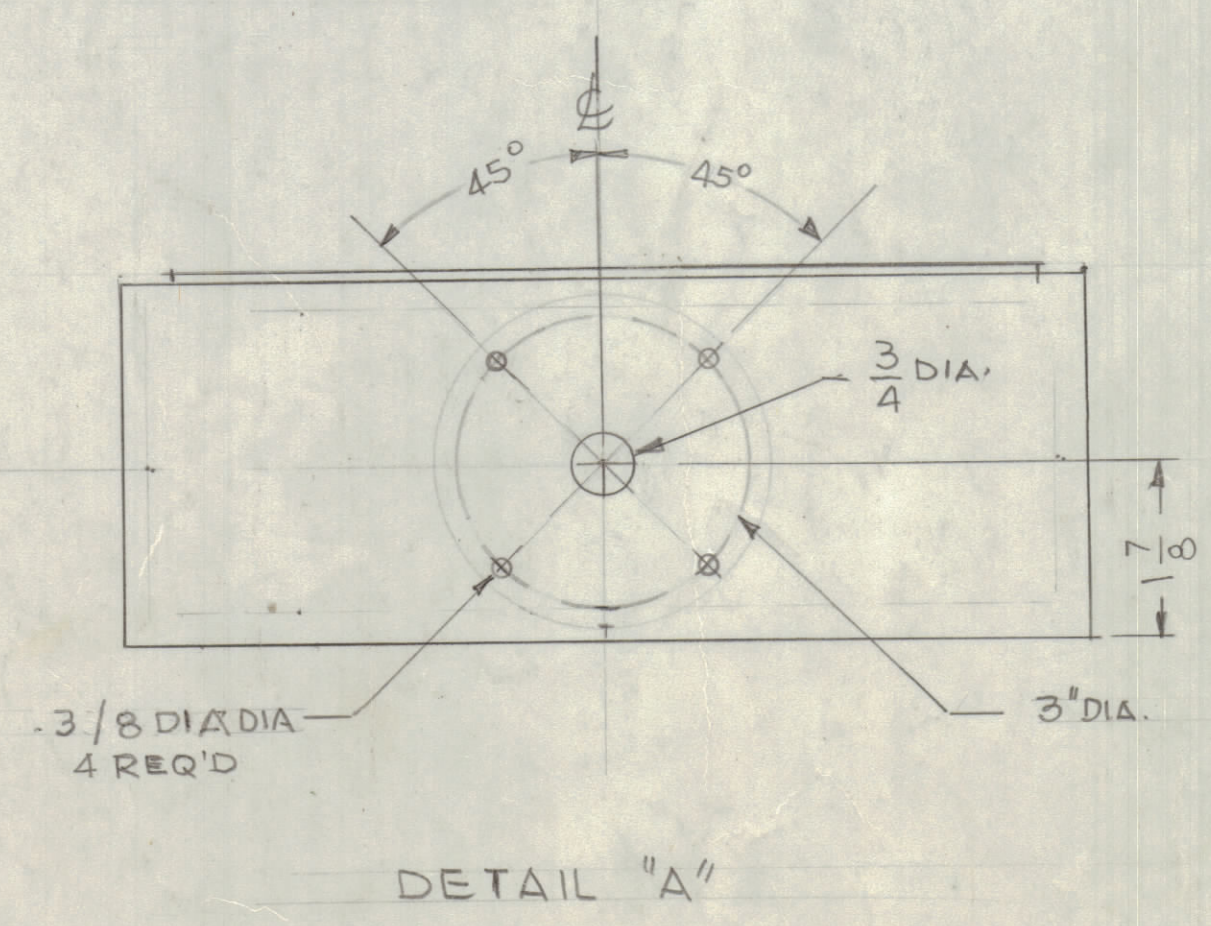
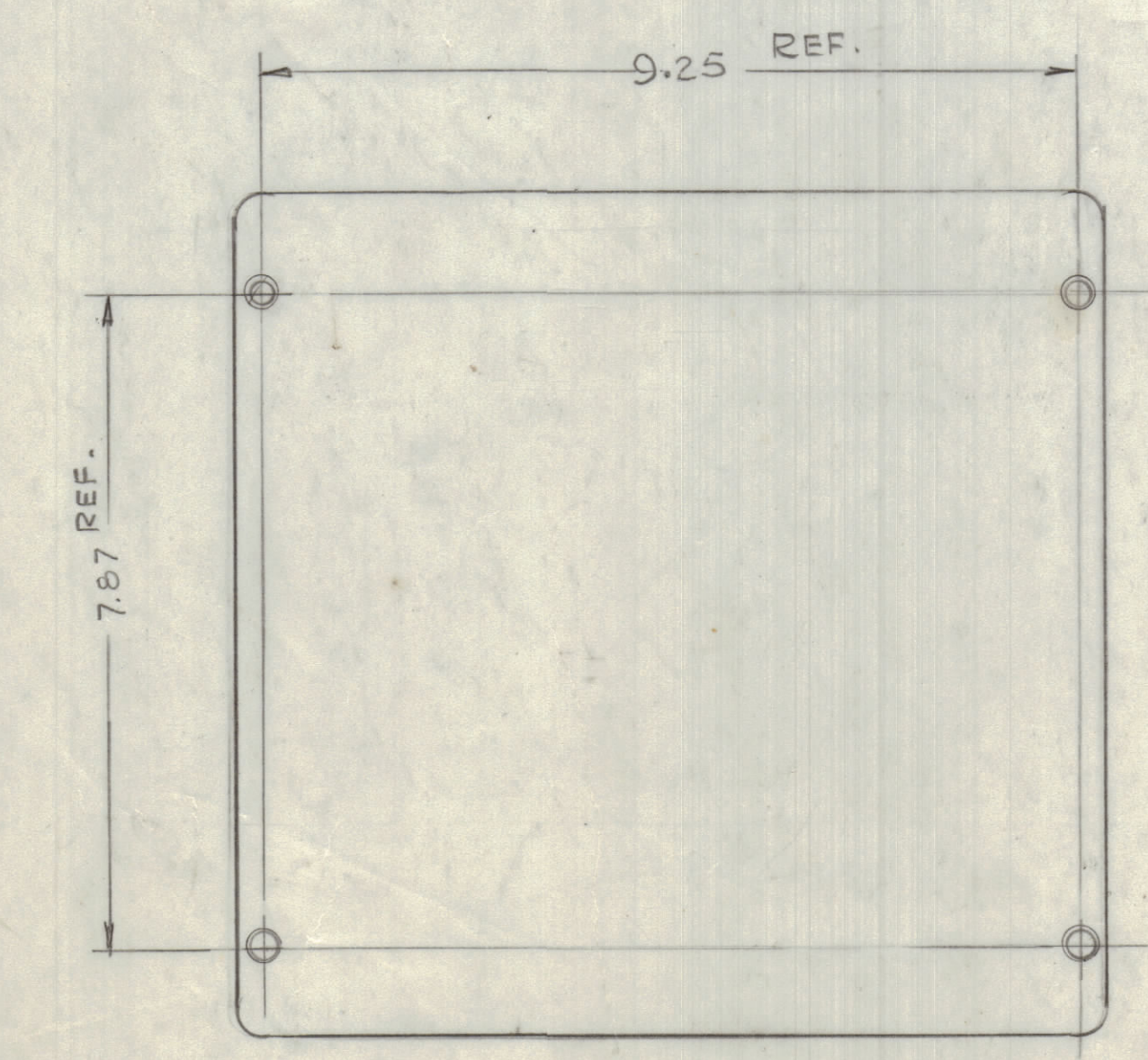


REVISIONS							
E.M.N.O.	DRAFT	CHKD	ZONE	LTR	DESCRIPTION	DATE	APPROVED
	GDL				ORIGINAL RELEASE FOR PRODUCTION	1-18-90	



- HOLES:
- A - 1/8 DIA 4 REQ'D
 - B - 5/8 DIA
 - C - 9/16 2 REQ'D



COVER

REF: TYPE 02.25 2616

QTY. REQ.	ITEM	PART NO.	DESCRIPTION	SYMBOL
LIST OF MATERIAL				

UNLESS OTHERWISE SPECIFIED DIMENSIONS ARE IN INCHES AND INCLUDE CHEMICALLY APPLIED OR PLATED FINISHES	FINAL APPROVAL <i>GDL</i>	DATE 1-22-89
TOLERANCES ON	ELECT. DES.	DATE
DECIMALS X ± .05 .XX ± .01 XXX ± .005	CHECKED	DATE
FRACTIONS ± 1/64 ANGLES ± 0° - 30'	DRAWN GDL	DATE 1-26-89

THE TECHNICAL MATERIEL CORP.
MAMARONECK, NEW YORK

CASE & COVER A
FIBER GLASS RAC 30

QTY / UNIT	MODEL USED ON	ASSY NO.
APPLICATION		
CODE		

MATERIAL	FINISH	SIZE	CODE/IDENT NO.	DWG NO.	ISSUE
		D	82679	PX 1301	<i>GDL</i>

NOTICE TO PERSONS RECEIVING THIS DRAWING
THE TECHNICAL MATERIEL CORPORATION claims proprietary right in the material disclosed hereon. This drawing is issued in confidence for engineering information only and may not be reproduced or used to manufacture anything shown hereon without permission from THE TECHNICAL MATERIEL CORPORATION to the user. This drawing is loaned for mutual assistance and is subject to recall at any time.