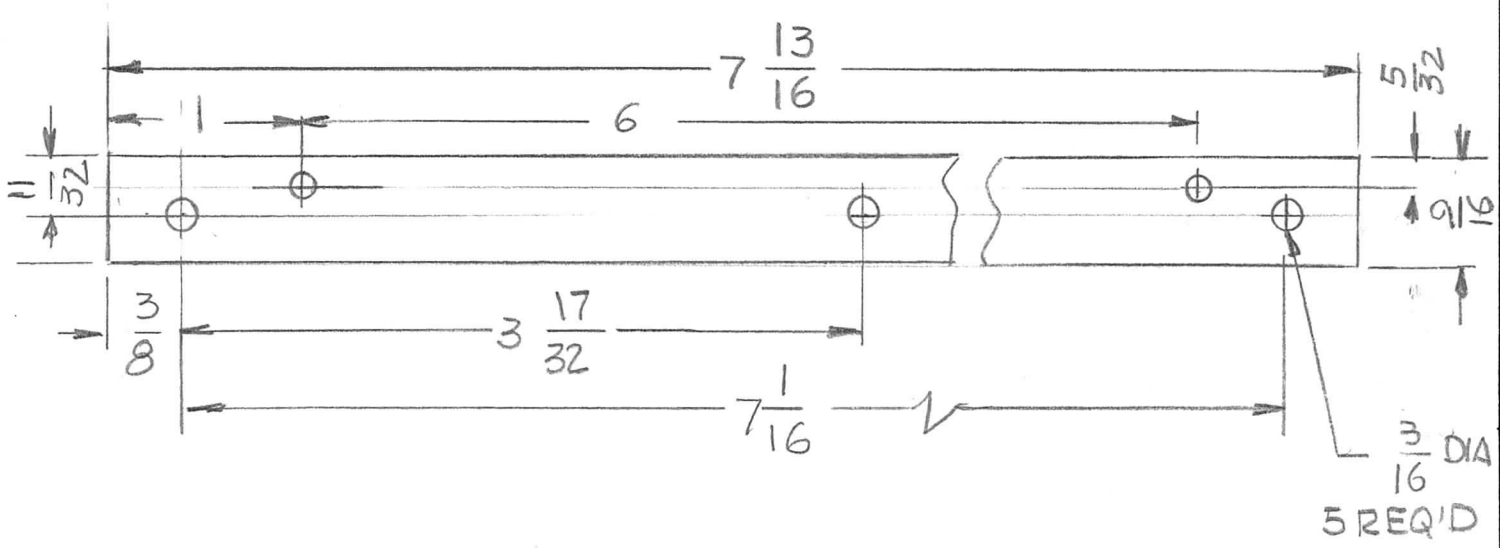


APPLICATION			REVISIONS						
QTY	MODEL USED ON	ASS'Y NO.	LTR	DESCRIPTION	DATE	E.M.N.NO	DRAFT	CHKD	APPD
3	GPT-750/E5								



UNLESS OTHERWISE SPECIFIED DIMENSIONS ARE IN INCHES AND INCLUDE CHEMICALLY APPLIED OR PLATED FINISHES	REQ'D	ITEM	PART NUMBER	DESCRIPTION	SYM.
DECIMALS .X ± .05 .XX ± .01 .XXX ± .005 FRACTIONS 1/64 ANGLES 0°-30'	LIST OF MATERIAL				
MATERIAL $1/8$ THK GIO EPOXY	MECH. DES.			<b>THE TECHNICAL MATERIEL CORP.</b> MAMARONECK, NEW YORK  <b>SUPPORT COIL MTG</b> CL 118-31	
FINISH NATURAL	ELECT. DES.				
5113 FUNGU PROOF	CHECKED				
	DRAWN G.D.L		DATE 3-20-80		

<b>NOTICE TO PERSONS RECEIVING THIS DRAWING</b> THE TECHNICAL MATERIEL CORPORATION claims proprietary right in the material disclosed hereon. This drawing is issued in confidence for engineering information only and may not be reproduced or used to manufacture anything shown hereon without permission from THE TECHNICAL MATERIEL CORPORATION to the user. This drawing is loaned for mutual assistance and is subject to recall at any time.	SIZE A	CODE IDENT. NO. 82679	DWG NO. PX 1272	ISSUE X
	SCALE 1:1	SHEET OF		