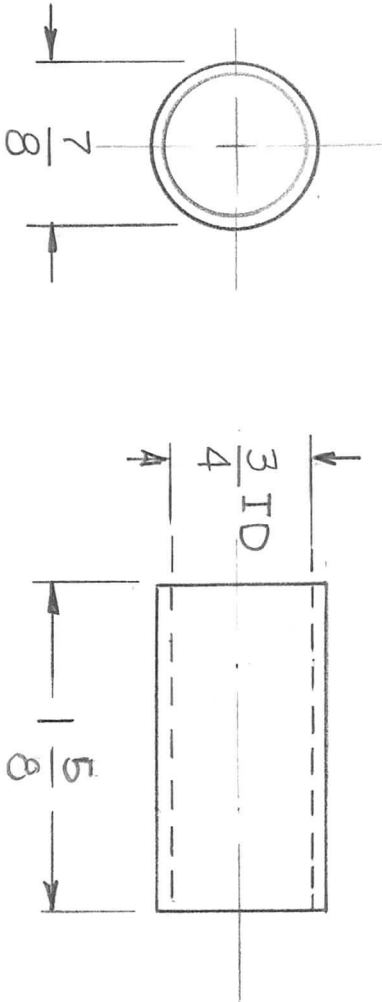


REQ. PER UNIT	MODEL	USED ON	DATE	PX 1245	Ø
1	FLAA-1K	ASSY. NO.	3-13-74		
1	PALA-10K	NW 183	-		



SYMBOL	DESCRIPTION	SYMBOL
Ø	PHENOLIC COVER, NETWORK TIME DELAY	Ø
UNLESS OTHERWISE SPECIFIED DIMENSIONS ARE IN INCHES AND INCLUDE CHEMICALLY APPLIED OR PLATED FINISHES	STOCK SIZE	THE TECHNICAL MATERIEL CORP. MAMARONECK, NEW YORK
DATE: 3-18-74	MATERIAL: XXXP or EQUIVALENT	DRAWN: [Signature]
CH. NO.	HEAT TREAT. SPEC.	CHECKED: [Signature]
DRAFTS: DV	DRAWN	CHECKED
CHECKER		
ENG. APP.		
SCALE: 1:1		FINAL APPROVAL: [Signature]
CODE	FINISH & SPEC. NO.	PX1245
	ELEC. DES. APP.	
	MECH. DES. APP.	