

5

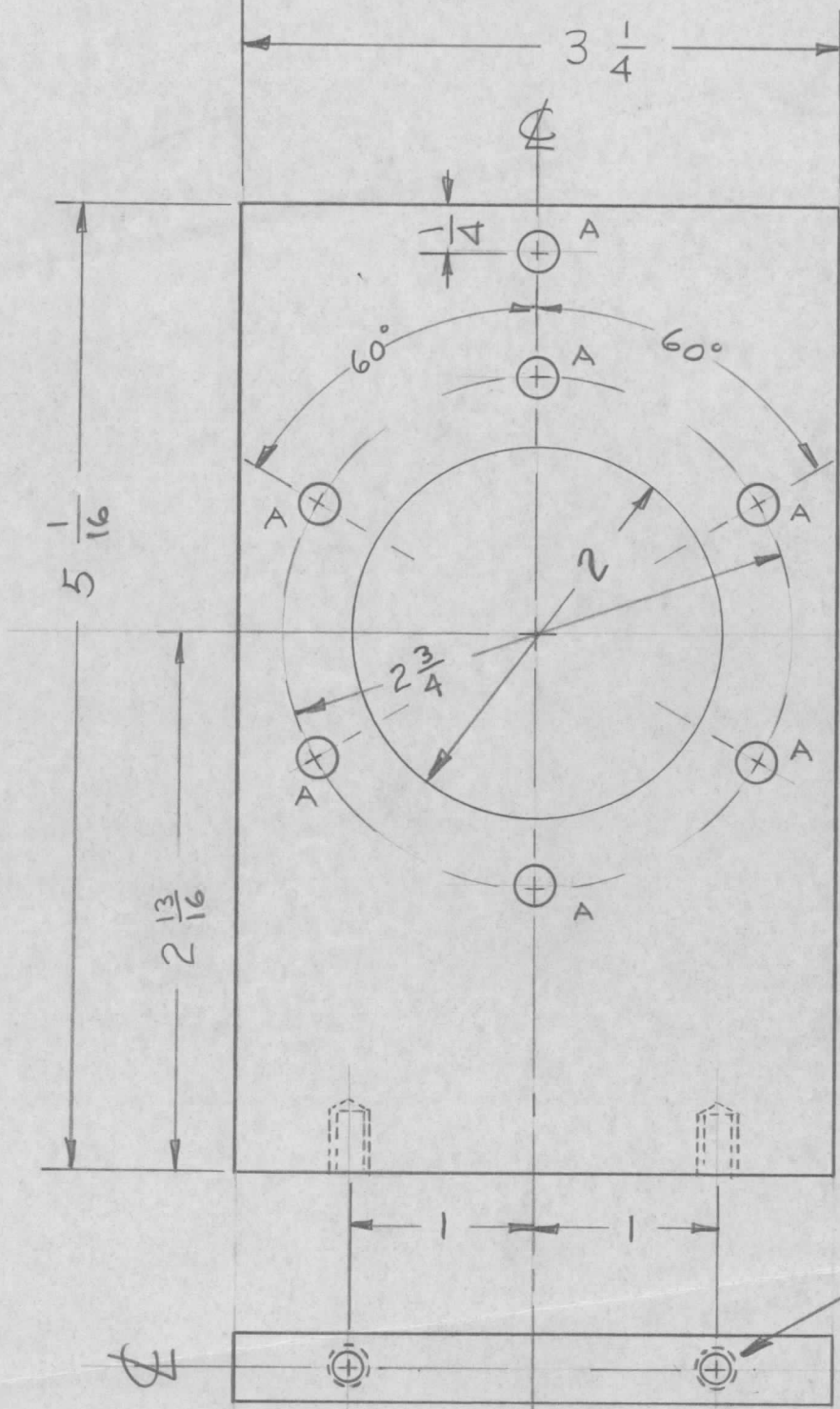
4

3

2

1

REVISIONS							
E.M.N. NO.	DRAFT	CHKD	ZONE	LTR	DESCRIPTION	DATE	APPROVED
	DV			Ø	ORIGINAL RELEASE FOR PRODUCTION	11/30/73	



A ~  $\frac{13}{64}$  DIA 7 REQ'D.

REQ'D	ITEM	PART NUMBER	DESCRIPTION	SYM.
2	1	NT139 SCOB-20	INSERT, SCREW THREAD	

LIST OF MATERIAL

QTY / UNIT	MODEL USED ON	ASS'Y NO.
2	AX5176	AX5179

APPLICATION

CODE

**NOTICE TO PERSONS RECEIVING THIS DRAWING**  
 THE TECHNICAL MATERIEL CORPORATION claims proprietary right in the material disclosed hereon. This drawing is issued in confidence for engineering information only and may not be reproduced or used to manufacture anything shown hereon without permission from THE TECHNICAL MATERIEL CORPORATION to the user. This drawing is loaned for mutual assistance and is subject to recall at any time.

UNLESS OTHERWISE SPECIFIED DIMENSIONS ARE IN INCHES AND INCLUDE CHEMICALLY APPLIED OR PLATED FINISHES

DECIMALS	FRACTIONS	TOLS.	ANGLES
.X ± .05	1/64		
.XX ± .01			0° -30'
.XXX ± .005			

MATERIAL  $\frac{3}{8}$ " G-11

GLASS EPOXY

FINISH

S113 FUNGUS PROOF

FINAL APPROVAL	DATE
<i>[Signature]</i>	11/8/73
MECH. DES.	DATE
ELECT. DES.	DATE
CHECKED	DATE
<i>[Signature]</i>	11-6-73
DRAWN	DATE
<i>[Signature]</i>	27 APR 73

THE TECHNICAL MATERIEL CORP.  
 MAMARONECK, NEW YORK

SUPPORT, CAPACITOR

SIZE	CODE IDENT. NO.	DWG NO.	ISSUE
B	82679	PX1232	Ø
SCALE	SHEET		OF