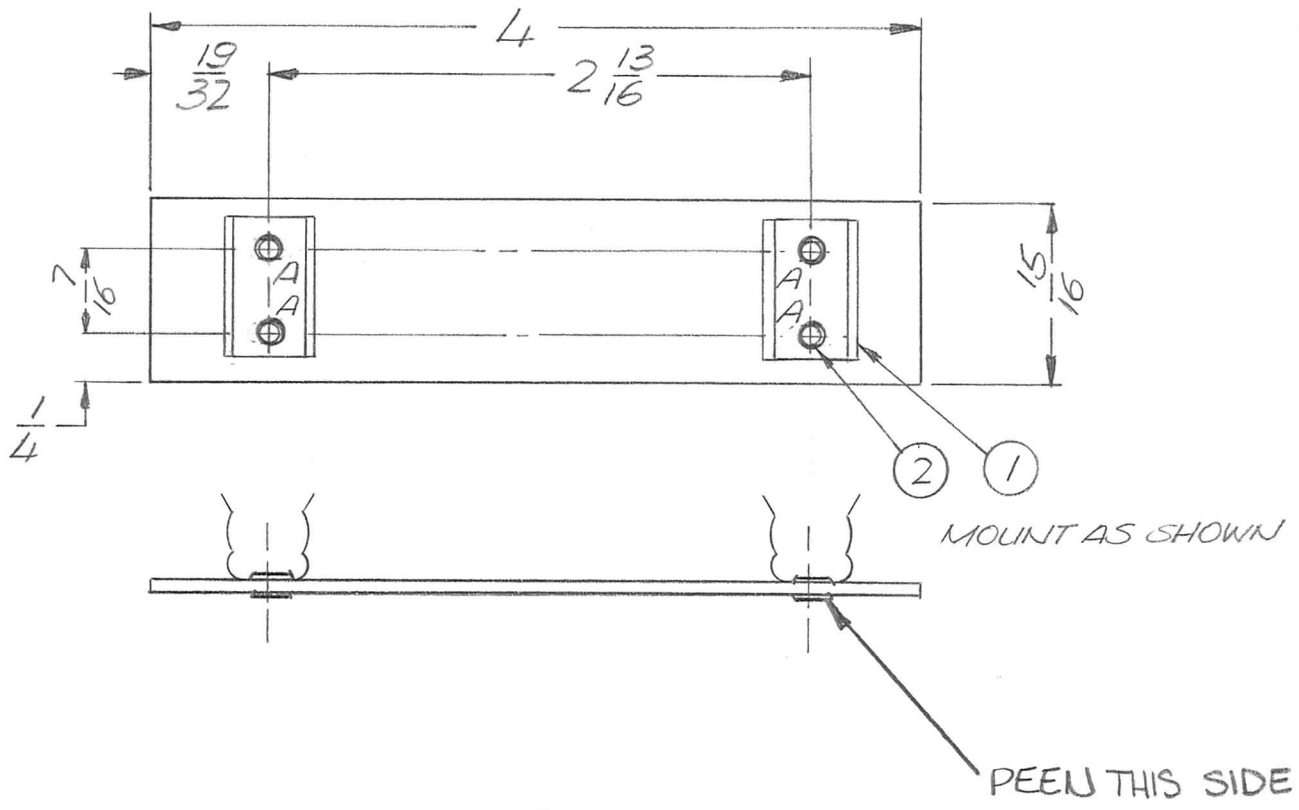


APPLICATION			REVISIONS						
QTY	MODEL USED ON	ASS'Y NO.	LTR	DESCRIPTION	DATE	E.M.N.NO	DRAFT	CHKD	APPD
2	RSU-1		Ø	ORIG. RELEASE FOR PROD	1/4/73			C.	



HOLE A - .093 DIA. - 4 REQ.

REQ'D	ITEM	PART NUMBER	DESCRIPTION	SYM.
4	2	EY101-3	RIVET	
2	1	CUI33-3	CLIP, HEAT SINK	

UNLESS OTHERWISE SPECIFIED DIMENSIONS ARE IN INCHES AND INCLUDE CHEMICALLY APPLIED OR PLATED FINISHES		LIST OF MATERIAL		
DECIMALS: .X ± .05, .XX ± .01, .XXX ± .005		O. POSE		
FRACTIONS: 1/64, ANGLES: 0° - 30'		THE TECHNICAL MATERIEL CORP.		
MATERIAL: 1/16 GIO		MAMARONECK, NEW YORK		
FINISH:		XFMR, SHIELD		
DRAWN: GE		DATE: 12/22/72		

NOTICE TO PERSONS RECEIVING THIS DRAWING				SIZE	CODE IDENT. NO.	DWG NO.	ISSUE
THE TECHNICAL MATERIEL CORPORATION claims proprietary right in the material disclosed hereon. This drawing is issued in confidence for engineering information only and may not be reproduced or used to manufacture anything shown hereon without permission from THE TECHNICAL MATERIEL CORPORATION to the user. This drawing is loaned for mutual assistance and is subject to recall at any time.				A	82679	PX 1185	Ø
				SCALE 1:1	SHEET		OF