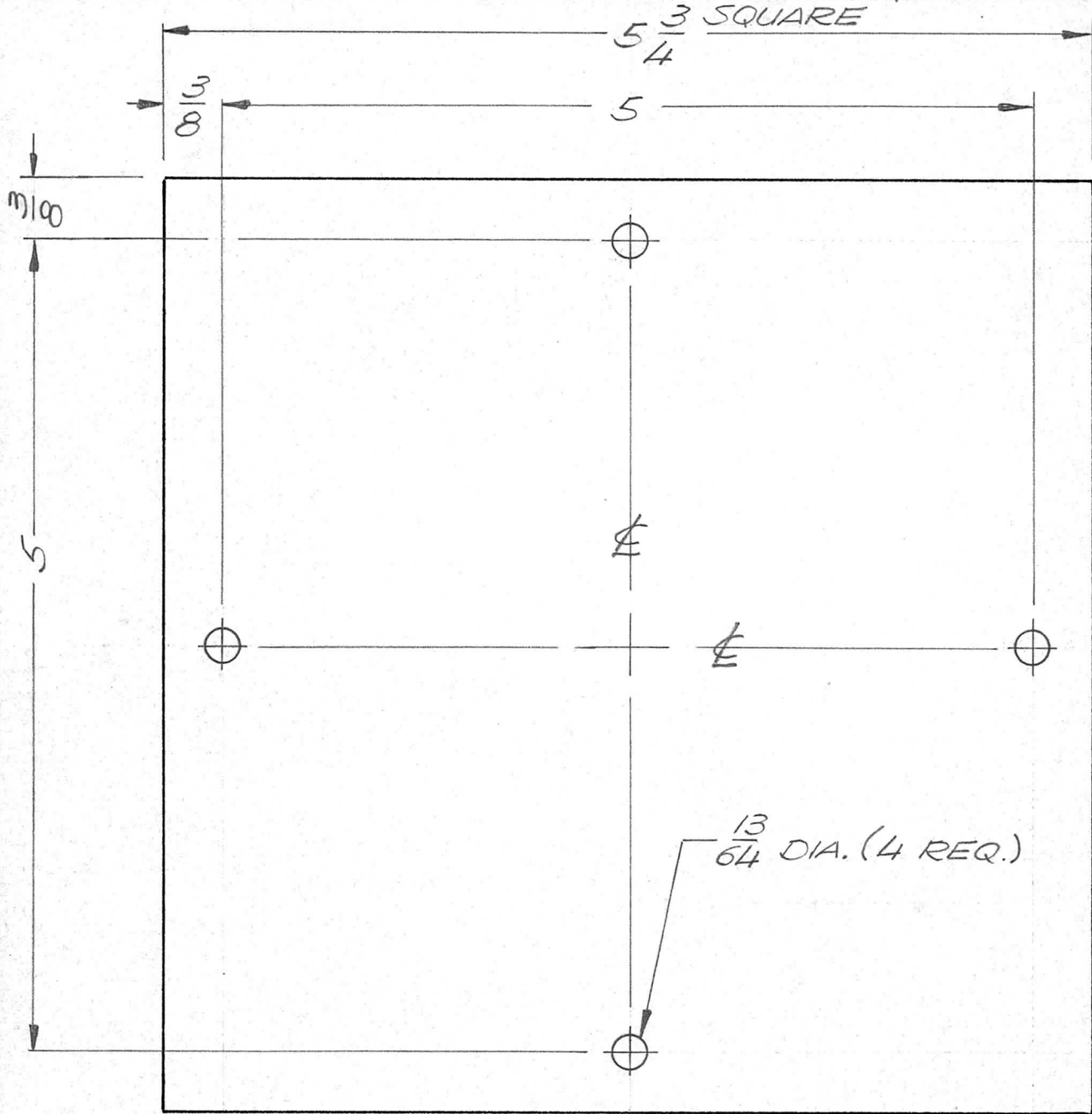


QTY	MODEL USED ON	ASS'Y NO.	LTR	DESCRIPTION	DATE	E.M.N.NO	DRAFT	CHKD	APPD
1	MAT-5	BMA-475	Ø	ORIG RELEASE FOR PROD	3/6/78		CW		



13/64 DIA. (4 REQ.)

UNLESS OTHERWISE SPECIFIED DIMENSIONS ARE IN INCHES AND INCLUDE CHEMICALLY APPLIED OR PLATED FINISHES

REQ'D	ITEM	PART NUMBER	DESCRIPTION	SYM.
-------	------	-------------	-------------	------

F.B.		LIST OF MATERIAL		
DECIMALS .X ± .05 .XX ± .01 .XXX ± .005	FRACTIONS 1/64 ANGLES 0° -30'	FINAL APPROVAL <i>JMM</i>	DATE 3/14/78	THE TECHNICAL MATERIEL CORP. MAMARONECK, NEW YORK WINDOW, VIEW
MATERIAL 1/8 PLEXIGLASS	MECH. DES. <i>AC</i>	DATE	DATE	
FINISH NATURAL	ELECT. DES.	DATE	DATE	
	CHECKED	DATE	DATE	
	DRAWN <i>GE</i>	DATE 10/17/71	DATE	

NOTICE TO PERSONS RECEIVING THIS DRAWING
 THE TECHNICAL MATERIEL CORPORATION claims proprietary right in the material disclosed hereon. This drawing is issued in confidence for engineering information only and may not be reproduced or used to manufacture anything shown hereon without permission from THE TECHNICAL MATERIEL CORPORATION to the user. This drawing is loaned for mutual assistance and is subject to recall at any time.

SIZE A	CODE IDENT. NO. 82679	DWG NO. PX 1170	ISSUE Ø
SCALE 1:1	SHEET		OF