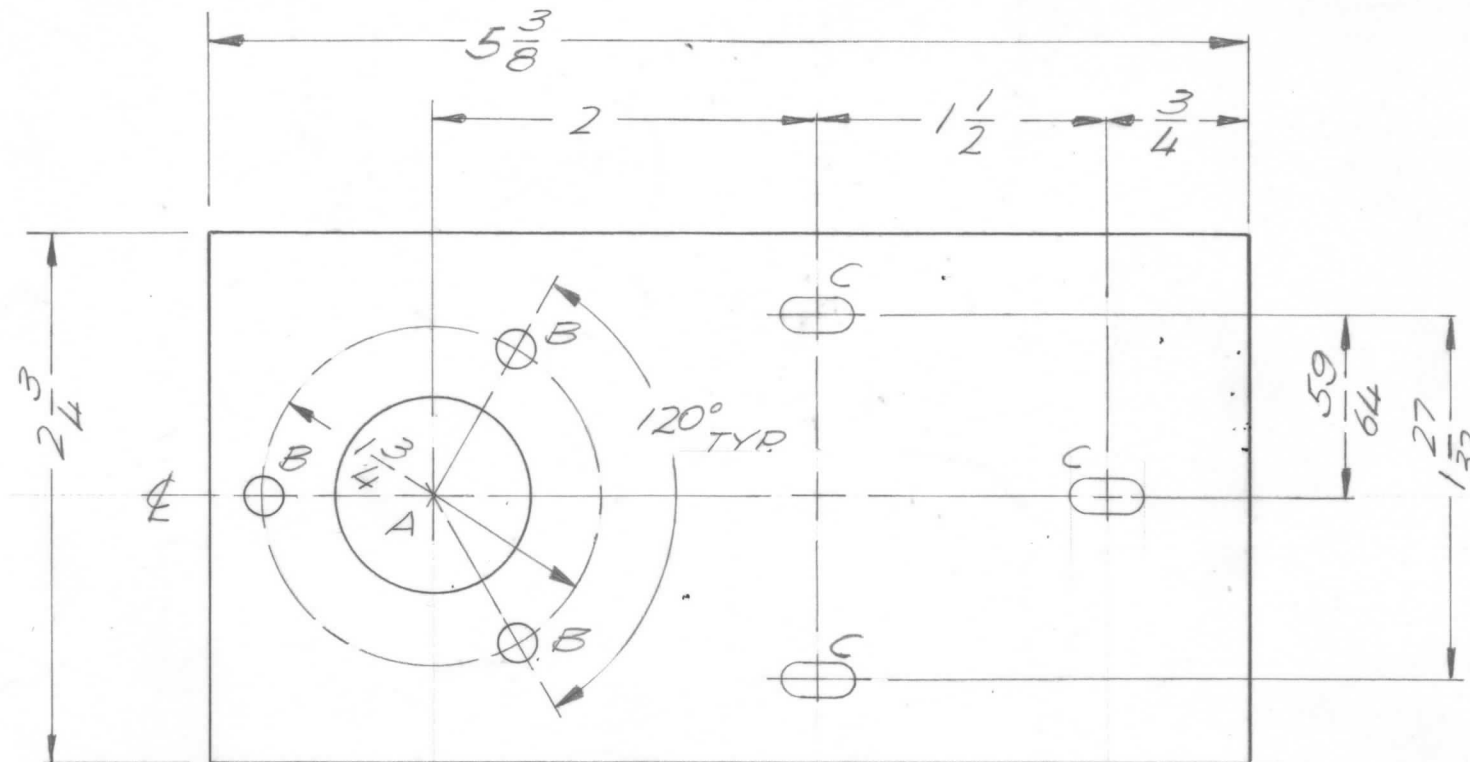


REVISIONS

ZONE	LTR	DESCRIPTION	DATE	E.M.N.NO	DRAFT	CHKD	APPD
	Ø	ORIG. RELEASE FOR PROD.	9/9/71		RG		
	A	ADD OBSOLETE NOTE	4/3/73	20907	GE	Ø	Ø



HOLE DESCRIPTION REQ.

- A — 1 DIA. — 1
- B — 3/16 DIA. — 3
- C — 11/64 x 11/32 SLT — 3

**OBSOLETE
SUPERSEDED
REPLACED BY
PX 1181**

1	TLAA-1K	AX5132
QTY / UNIT	MODEL USED ON	ASS'Y NO.
APPLICATION		
	CODE	

NOTICE TO PERSONS RECEIVING THIS DRAWING
 THE TECHNICAL MATERIEL CORPORATION claims proprietary right in the material disclosed hereon. This drawing is issued in confidence for engineering information only and may not be reproduced or used to manufacture anything shown hereon without permission from THE TECHNICAL MATERIEL CORPORATION to the user. This drawing is loaned for mutual assistance and is subject to recall at any time.

UNLESS OTHERWISE SPECIFIED DIMENSIONS ARE IN INCHES AND INCLUDE CHEMICALLY APPLIED OR PLATED FINISHES

DECIMALS	FRACTIONS
.X ± .05	1/64
.XX ± .01	TOLS. ANGLES
.XXX ± .005	0° .30'

MATERIAL 1/4 THK
 G7 SILICONE GL
 FINISH

REQ'D	ITEM	PART NUMBER	DESCRIPTION	SYM.
F. BUDETTI LIST OF MATERIAL				
THE TECHNICAL MATERIEL CORP. MAMARONECK, NEW YORK				
PLATE INS. CAP. MTEG.				
SIZE	CODE IDENT. NO.	DWG NO.	ISSUE	
B	82679	PX 1167	A	
SCALE 1:1			SHEET OF	