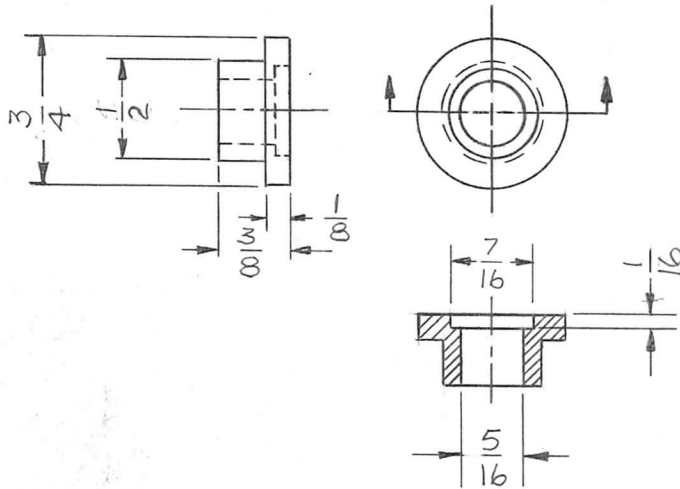


APPLICATION			REVISIONS						
QTY	MODEL USED ON	ASS'Y NO.	LTR	DESCRIPTION	DATE	E.M.N.NO	DRAFT	CHKD	APPD
2	PALA-10K	AX5096	XI	CHG QTY FROM 16 TO 2	8-27-69		EA		
			Ø	ORIGINAL RELEASE	1/20/70		U		



UNLESS OTHERWISE SPECIFIED DIMENSIONS ARE IN INCHES AND INCLUDE CHEMICALLY APPLIED OR PLATED FINISHES	REQ'D	ITEM	PART NUMBER	DESCRIPTION	SYM.
				LIST OF MATERIAL	
DECIMALS .X ± .05 .XX ± .01 .XXX ± .005	FRACTIONS 1/64 ANGLES 0° .30°		FINAL APPROVAL <i>EB</i>	DATE 7-20-70	THE TECHNICAL MATERIEL CORP. MAMARONECK, NEW YORK
MATERIAL	TEFLON		MECH. DES.	DATE	GLAND, SPRING
FINISH	TEFLON		ELECT. DES.	DATE	
			CHECKED	DATE	
			DRAWN <i>EB</i>	DATE 6-26-69	
NOTICE TO PERSONS RECEIVING THIS DRAWING THE TECHNICAL MATERIEL CORPORATION claims proprietary right in the material disclosed hereon. This drawing is issued in confidence for engineering information only and may not be reproduced or used to manufacture anything shown hereon without permission from THE TECHNICAL MATERIEL CORPORATION to the user. This drawing is loaned for mutual assistance and is subject to recall at any time.				SIZE A	CODE IDENT. NO. 82679
				DWG NO. PX1090	ISSUE Ø
SCALE 1:1			SHEET OF		