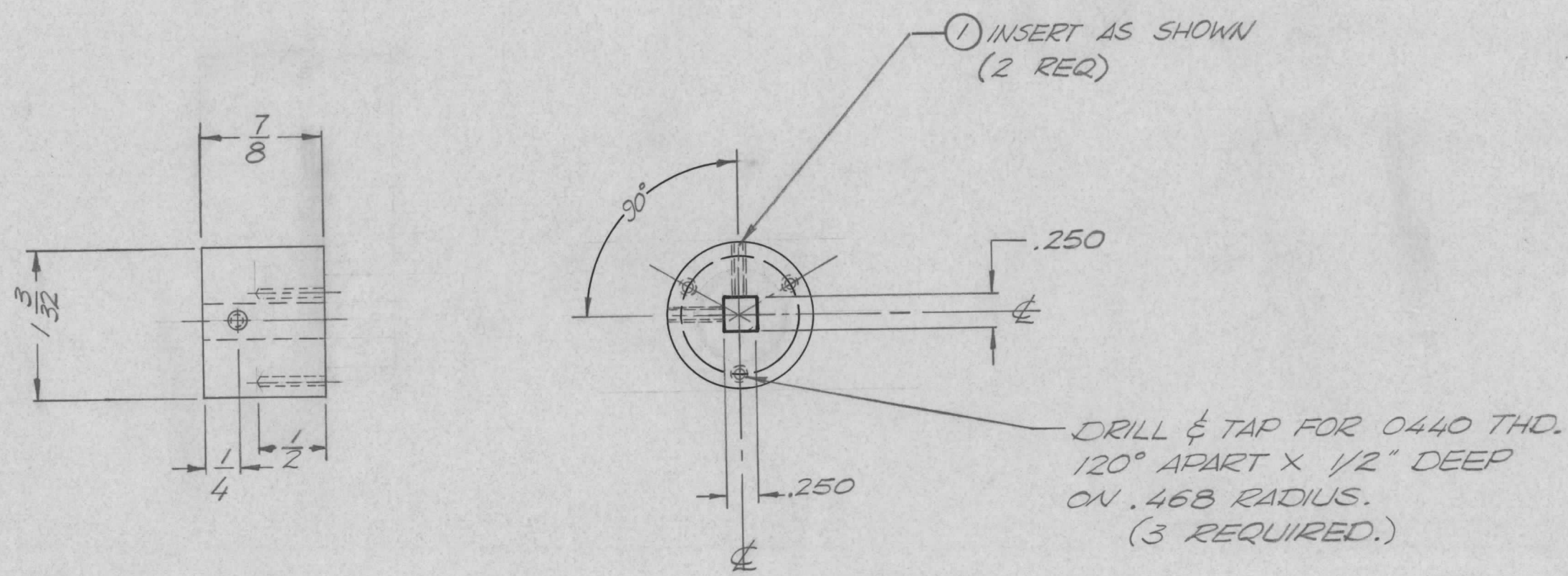


REVISIONS

ZONE	LTR	DESCRIPTION	DATE	E.M.N.NO	DRAFT	CHKD	APPD
	X	EXP RELEASE	1/4/70		GE		
	Ø	ORIGINAL RELEASE	1/8/70		CW		
	A	DELE EXT. HUB, DIM 1 3/8 & 3 9/64	6/22/70	19891	KL	WB	FB
	B	NOTE "NO LONGER USED" ADD	3-7-74	21143	C.D.L	CL	CL



NO LONGER USED
REPLACED BY PX1152

REQ'D	ITEM	PART NUMBER	DESCRIPTION	SYM.
2	1	NT139-SC06-25	HELICOIL	

F. BUDETTI LIST OF MATERIAL

1	GPTR 10 K	AX5080
QTY / UNIT	MODEL USED ON	ASS'Y NO.
APPLICATION		
	CODE	

NOTICE TO PERSONS RECEIVING THIS DRAWING
 THE TECHNICAL MATERIEL CORPORATION claims proprietary right in the material disclosed hereon. This drawing is issued in confidence for engineering information only and may not be reproduced or used to manufacture anything shown hereon without permission from THE TECHNICAL MATERIEL CORPORATION to the user. This drawing is loaned for mutual assistance and is subject to recall at any time.

UNLESS OTHERWISE SPECIFIED DIMENSIONS ARE IN INCHES AND INCLUDE CHEMICALLY APPLIED OR PLATED FINISHES	FINAL APPROVAL <i>ALP. W</i>	DATE 1-70	THE TECHNICAL MATERIEL CORP. MAMARONECK, NEW YORK		
MECH. DES.	<i>ALP. W</i>	DATE 1-70			
DECIMALS .X ± .05 .XX ± .01 .XXX ± .005	FRACTIONS 1/64 ANGLES 0° -30'	ELECT. DES. <i>AGC</i>	HUB ROTOR (INSULATED)		
TOLS.		CHECKED			
MATERIAL G 11	DRAWN <i>EVANGELIST</i>	DATE 1-4-70	SIZE B	CODE IDENT. NO. 82679	DWG NO. PX 1085
FINISH			SCALE	SHEET OF	