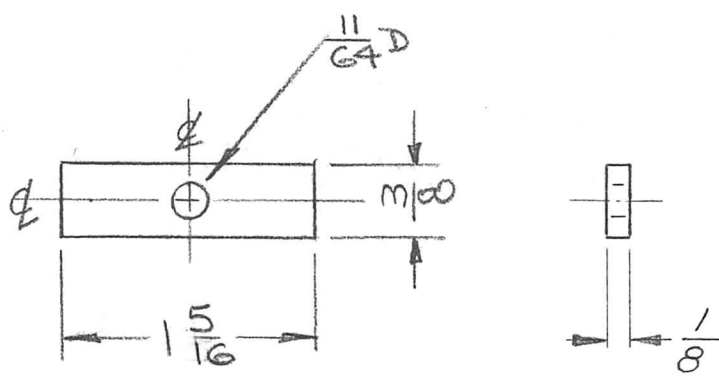


APPLICATION			REVISIONS						
QTY	MODEL USED ON	ASS'Y NO.	LTR	DESCRIPTION	DATE	E.M.N.NO	DRAFT	CHKD	APPD
1	MTR()150		X	EXPERIMENTAL REL	3/26/69	X	JA	JDe	
			Ø	ORIG RELEASE FOR PROD	7/17/69	Ø	CV		JDe



UNLESS OTHERWISE SPECIFIED DIMENSIONS ARE IN INCHES AND INCLUDE CHEMICALLY APPLIED OR PLATED FINISHES DECIMALS FRACTIONS .X ± .05 1/64 .XX ± .01 TOLS. ANGLES .XXX ± .005 0° -30'	REQ'D	ITEM	PART NUMBER	DESCRIPTION	SYM.
				LIST OF MATERIAL	
				THE TECHNICAL MATERIEL CORP.	
				MAMARONECK, NEW YORK	
				SUPPORT, MTG, XFMR	
MATERIAL XXXP PHENOLIC FINISH NATURAL	MECH. DES.		DATE		
	ELECT. DES.		DATE		
	CHECKED		DATE		
	DRAWN		DATE		
NOTICE TO PERSONS RECEIVING THIS DRAWING THE TECHNICAL MATERIEL CORPORATION claims proprietary right in the material disclosed hereon. This drawing is issued in confidence for engineering information only and may not be reproduced or used to manufacture anything shown hereon without permission from THE TECHNICAL MATERIEL CORPORATION to the user. This drawing is loaned for mutual assistance and is subject to recall at any time.				SIZE A	CODE IDENT. NO. 82679
				DWG NO. PX 1062	ISSUE Ø
SCALE 1:1				SHEET	OF