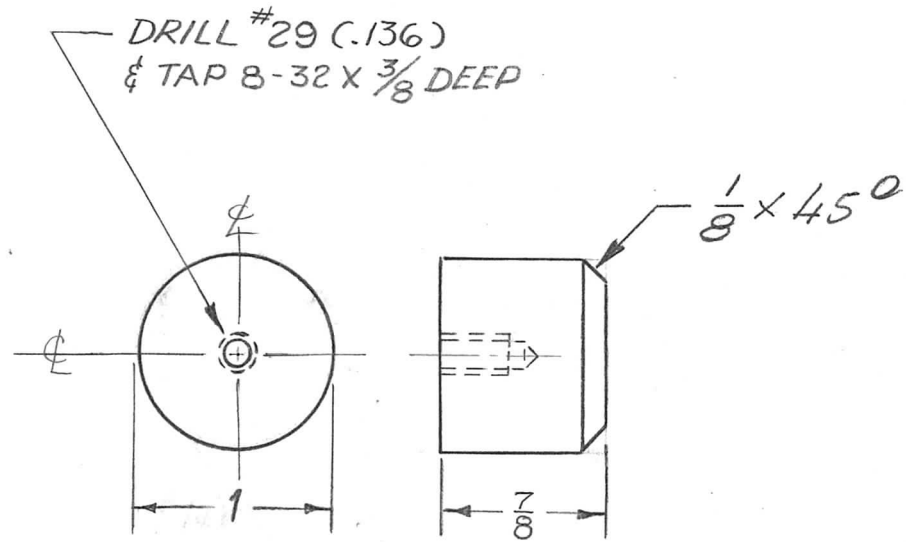


APPLICATION			REVISIONS						
QTY	MODEL USED ON	ASS'Y NO.	LTR	DESCRIPTION	DATE	E.M.N.NO	DRAFT	CHKD	APPD
4	BCT-10 KA	A2333	X	EXPERIMENTAL RELEASE	12/4/67	#	Eng	My	020
			Ø	ORIG. RELEASE FOR PROD.	5-29-68		R/S		110
			A	1/8 x 45° ADD.	3/12/70	19786	KL + NP		FB MS



UNLESS OTHERWISE SPECIFIED DIMENSIONS ARE IN INCHES AND INCLUDE CHEMICALLY APPLIED OR PLATED FINISHES		REQ'D	ITEM	PART NUMBER	DESCRIPTION	SYM.
DECIMALS: .X ± .05, .XX ± .01, .XXX ± .005 FRACTIONS: 1/64, ANGLES: 0° -30'		F. BUDETTI LIST OF MATERIAL				
MATERIAL: NYLON FINISH: NONE S401-451		FINAL APPROVAL: <i>[Signature]</i> DATE: 5-29-68 MECH. DES.: <i>[Signature]</i> DATE: 5-29-68 ELECT. DES.: DATE:		THE TECHNICAL MATERIEL CORP. MAMARONECK, NEW YORK INSULATOR		
CHECKED: <i>[Signature]</i> DATE: 5-29-68 DRAWN: <i>[Signature]</i> DATE: 12-4-67		SIZE: A		CODE IDENT. NO.: 82679		DWG NO.: PX1055
NOTICE TO PERSONS RECEIVING THIS DRAWING THE TECHNICAL MATERIEL CORPORATION claims proprietary right in the material disclosed hereon. This drawing is issued in confidence for engineering information only and may not be reproduced or used to manufacture anything shown hereon without permission from THE TECHNICAL MATERIEL CORPORATION to the user. This drawing is loaned for mutual assistance and is subject to recall at any time.		SCALE: 1:1		SHEET OF		ISSUE: A