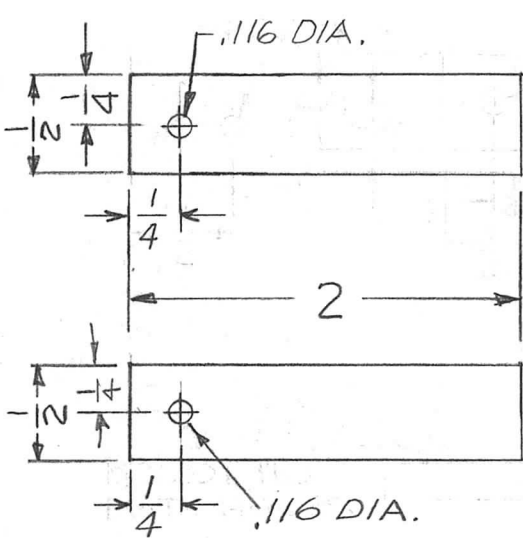
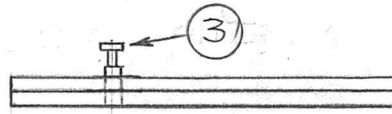


APPLICATION			REVISIONS						
QTY	MODEL USED ON	ASS'Y NO.	LTR	DESCRIPTION	DATE	E.M.N.NO	DRAFT	CHKD	APPD
1EA	LPA-2		X	EXP. RELEASE	10-31-67				
			Ø	ORIG. RELEASE FOR PROD.	11-15-67	Ø	R.G.		
			A	COMP. REV.	1-24-68	18732			FB
			B	PART 1 & 2 REVISED	3-15-68	18816			FB



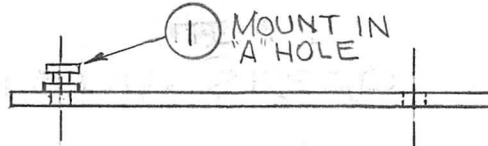
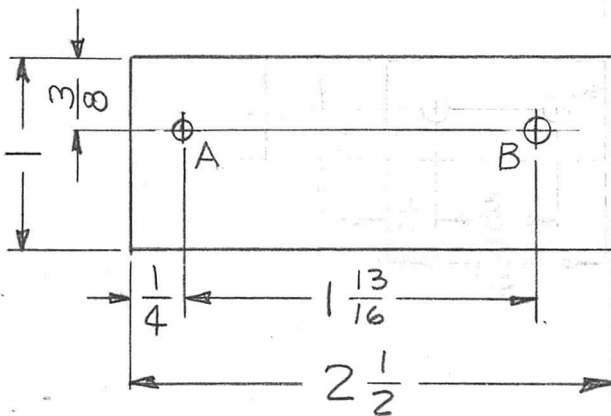
PART 1

PART 2



AFTER MOUNTING ITEM 1 TO PART 1  
BOND PART 1 TO PART 2 WITH  
ITEM 2

PX1035-1



HOLE	DESCRIPTION	REQ
A	.116 DIA.	1
B	11/64 DIA.	1

PX1035-2

REQ'D	ITEM	PART NUMBER	DESCRIPTION	SYM.
1	3	TE105-4	TERMINAL, STUD	
X	2	GL125	ADHESIVE-EPOXY	
1	1	TE105-2	TERMINAL, STUD	

UNLESS OTHERWISE SPECIFIED  
DIMENSIONS ARE IN INCHES  
AND INCLUDE CHEMICALLY APPLIED  
OR PLATED FINISHES

F. BUDETTI

LIST OF MATERIAL

DECIMALS FRACTIONS  
.X ± .05 1/64  
.XX ± .01 TOLS. ANGLES  
.XXX ± .005 0° .30'

FINAL APPROVAL	DATE
MECH. DES.	DATE 11/15/67
ELECT. DES.	DATE 11/15/67
CHECKED	DATE 11-15-67
DRAWN	DATE 10-31-67

THE TECHNICAL MATERIEL CORP.  
MAMARONECK, NEW YORK

MATERIAL 1/16 THK  
G-10 EPOXY  
FINISH NATURAL  
S113 FUNGUS PROOF  
S401-451

STRIP, MTG. TERMINAL

NOTICE TO PERSONS RECEIVING THIS DRAWING  
THE TECHNICAL MATERIEL CORPORATION claims proprietary right in the material disclosed herein. This drawing is issued in confidence for engineering information only and may not be reproduced or used to manufacture anything shown hereon without permission from THE TECHNICAL MATERIEL CORPORATION to the user. This drawing is loaned for mutual assistance and is subject to recall at any time.

SIZE	CODE IDENT. NO.	DWG NO.	ISSUE
A	82679	PX1035	B
SCALE 1:1	M/L	SHEET	OF