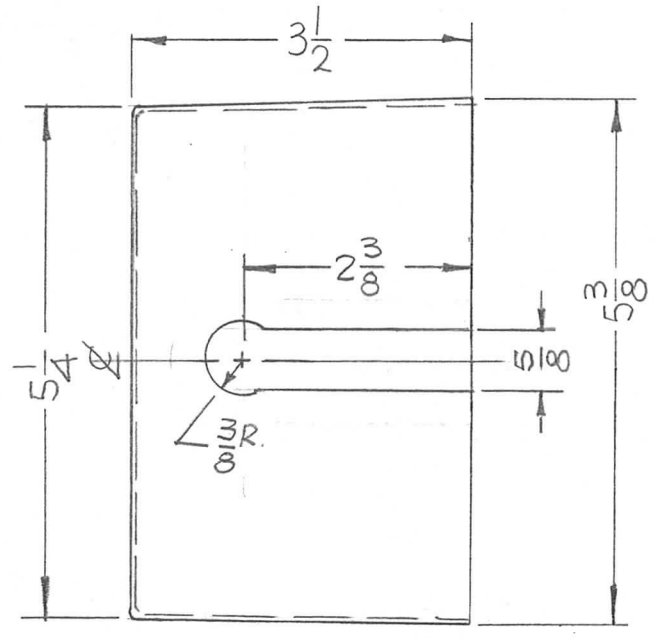
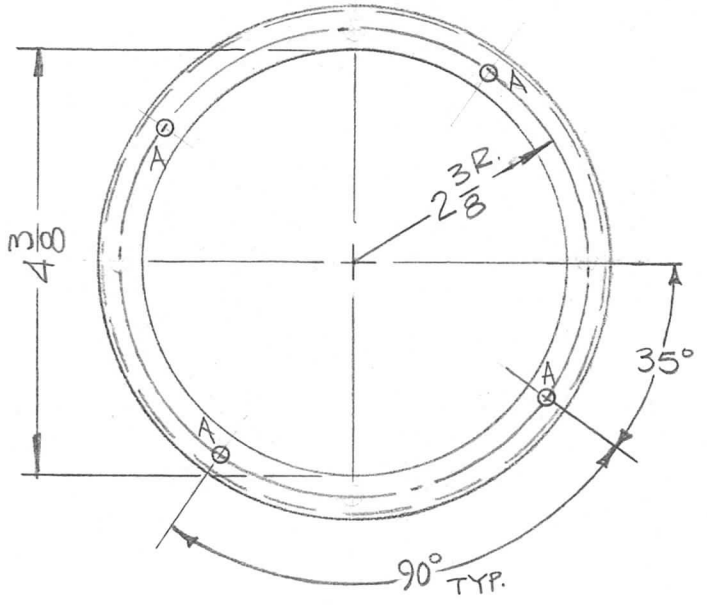


REQ. PER UNIT	USED ON			PX10006	Ø
	MODEL	ASS'Y. NO.	DATE		
1	TLAA-2.5K		11-28-66		

HOLES:
A- 11/64 DIA. (4 REQ.)



REQ.	ITEM	PART NO.	F. BUDETTI DESCRIPTION				SYMBOL
			3 LAYERS				THE TECHNICAL MATERIEL CORP. MAMARONECK, NEW YORK
			STOCK SIZE				
			FIBERGLASS				
			MATERIAL				
			TYPE & TEMPER	HEAT TREAT. SPEC.	DRAWN	CHECKED	FINAL APPROVAL
			S115 SMOOTH GRAY ENAM.				
			FINISH & SPEC. NO.		ELEC. DES. APP.	MECH. DES. APP.	PX10006 Ø

UNLESS OTHERWISE SPECIFIED DIMENSIONS ARE IN INCHES AND INCLUDE CHEMICALLY APPLIED OR PLATED FINISHES	SCALE 1:2
DECIMALS .X ± .05 .XX ± .01 .XXX ± .005	FRACTIONS ± 1/64 ANGLES ± 0° 30'
TOLERANCES	CODE A

Ø ORIGINAL RELEASE FOR PRODUCTION	3.1.67	WFO				
X EXP. RELEASE	11-28-66	M/S	100			
SYM	DESCRIPTION	DATE	CH. NO.	DRAFTS	CHECKER	ENG. APP.

MIL 7000