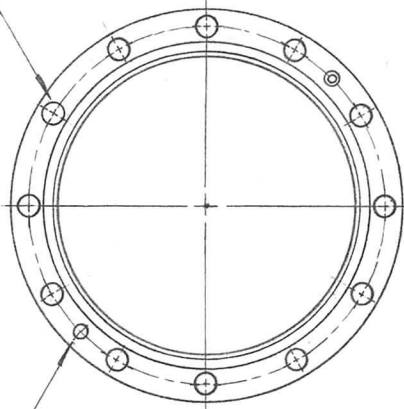


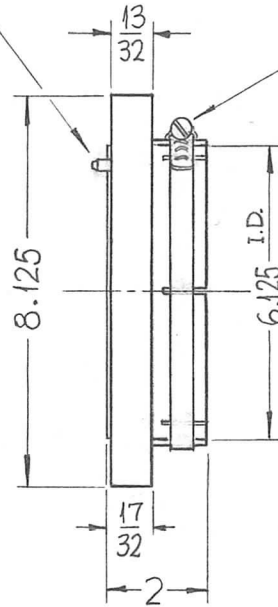
REQ. PER UNIT	USED ON			PO-301	O
	MODEL	ASS'Y. NO.	DATE		
1	GPT-200K	AX-397	1-15-64		

(12) .406 DIA. HOLES
EQUALLY SPACED ON
7.375 DIA.



1/4 DIA. ALIGNMENT HOLE

ALIGNMENT PIN



CU-129-21SS
(SUPPLIED WITH ITEM)

NOTE:
DIMENSIONS FOR REF. ONLY

REF. ID-292

REQ.	ITEM	PART NO.	F. BUDETTI	DESCRIPTION	SYMBOL
				THE TECHNICAL MATERIEL CORP. MAMARONECK, NEW YORK	
				STOCK SIZE	
				ADAPTOR LINE R.F. TRANSMISSION	
				MATERIAL	
				TYPE & TEMPER	
				HEAT TREAT. SPEC.	
				DRAWN	
				CHECKED	
				FINAL APPROVAL	
				FINISH & SPEC. NO.	
				ELEC. DES. APP.	
				MECH. DES. APP.	

UNLESS OTHERWISE SPECIFIED DIMENSIONS ARE IN INCHES AND INCLUDE CHEMICALLY APPLIED OR PLATED FINISHES	SCALE 1/4=1	CODE C	S401-276 (P/O 601-083)
DECIMALS .X ± .05 .XX ± .01 .XXX ± .005	FRACTIONS ± 1/64 ANGLES ± 0° 30'	TOLERANCES	

ORIGINAL RELEASE FOR PRODUCTION	5-27-64	O	A.M.
SRG	aa	Rac	
POB	Rac 4/10/64		
			PO-301 O