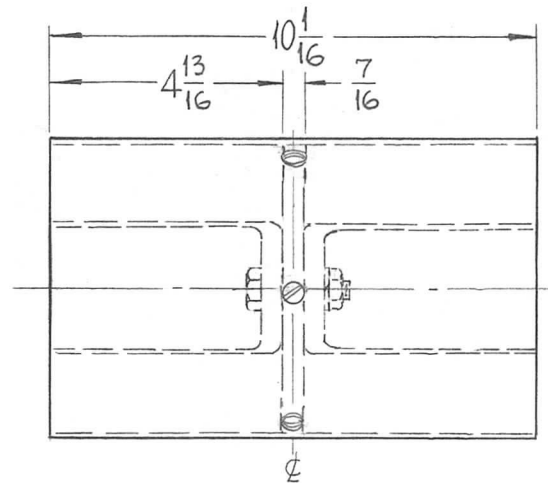
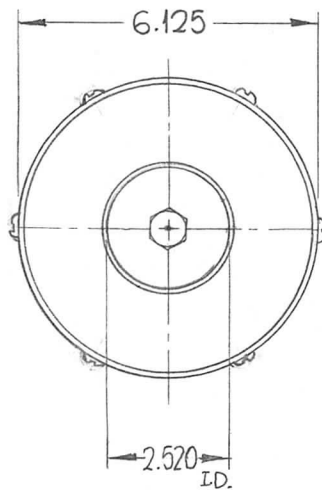


REQ. PER UNIT	USED ON			PO-285	○
	MODEL	ASS'Y. NO.	DATE		
1	GPT-200K	AX-397	1-14-64		



NOTE:  
DIMENSIONS FOR REF. ONLY.

REF. ID-292

REQ.	ITEM	PART NO.	F. BUDETTI	DESCRIPTION	SYMBOL						
				THE TECHNICAL MATERIEL CORP. MAMARONECK, NEW YORK							
				ADAPTOR LINE R.F. TRANSMISSION 6 1/8"							
○				ORIGINAL RELEASE FOR PRODUCTION							
			5-27-64	○ A.M.							
SYM		DESCRIPTION	DATE	CH. NO.	DRAFTS	CHECKER	ENG. APP.				
UNLESS OTHERWISE SPECIFIED DIMENSIONS ARE IN INCHES AND INCLUDE CHEMICALLY APPLIED OR PLATED FINISHES			SCALE	1/4" = 1"							
DECIMALS .X ± .05 .XX ± .01 .XXX ± .005		TOLERANCES	FRACTIONS ± 1/64 ANGLES ± 0° 30'		CODE	S-401-276 (P/O 601-083)					
TYPE & TEMPER		HEAT TREAT. SPEC.	DRAWN	CHECKED	FINAL APPROVAL						
FINISH & SPEC. NO.		ELEC. DES. APP.	MECH. DES. APP.	PO-285			○				