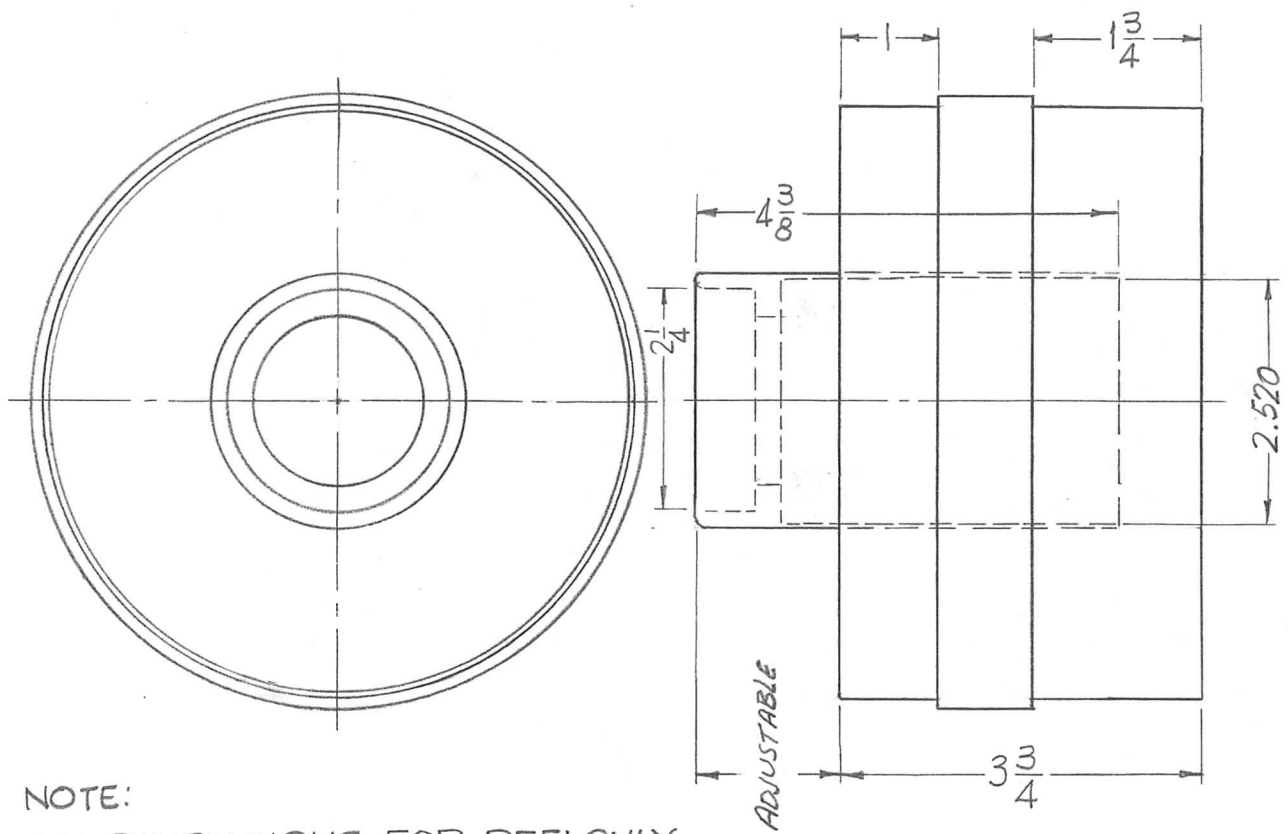


REQ. PER UNIT	USED ON			PO 280 A
	MODEL	ASS'Y. NO.	DATE	
1	GPT-200K	A 3198	11-12-63	



NOTE:
ALL DIMENSIONS FOR REF. ONLY

							REQ. ITEM	PART NO.	F. BUDETTI	DESCRIPTION	SYMBOL	
A	2.520 WAS 2 1/2; "ADJUSTABLE" WAS 1 1/2	11-66	15530	HLA	QCB	aa			THE TECHNICAL MATERIEL CORP. MAMARONECK. NEW YORK			
O	ORIG. RELEASE FOR PROD.	5-16-64		SRG					ADAPTOR RF. TRANS LINE, 6 1/8 TEE TO LINE			
SYM	DESCRIPTION	DATE	CH. NO.	DRAFTS	CHECKER	ENG. APP.	MATERIAL		SRG	aa	Rc	
UNLESS OTHERWISE SPECIFIED DIMENSIONS ARE IN INCHES AND INCLUDE CHEMICALLY APPLIED OR PLATED FINISHES							SCALE		1/2" = 1"			
DECIMALS .X ± .05 .XX ± .01 .XXX ± .005							TOLERANCES		FRACTIONS ± 1/64 ANGLES ± 0° 30'		CODE	C
							TYPE & TEMPER	HEAT TREAT. SPEC.	DRAWN	CHECKED	FINAL APPROVAL	
							FINISH & SPEC. NO.		ELEC. DES. APP.	MECH. DES. APP.	PO 280 A	