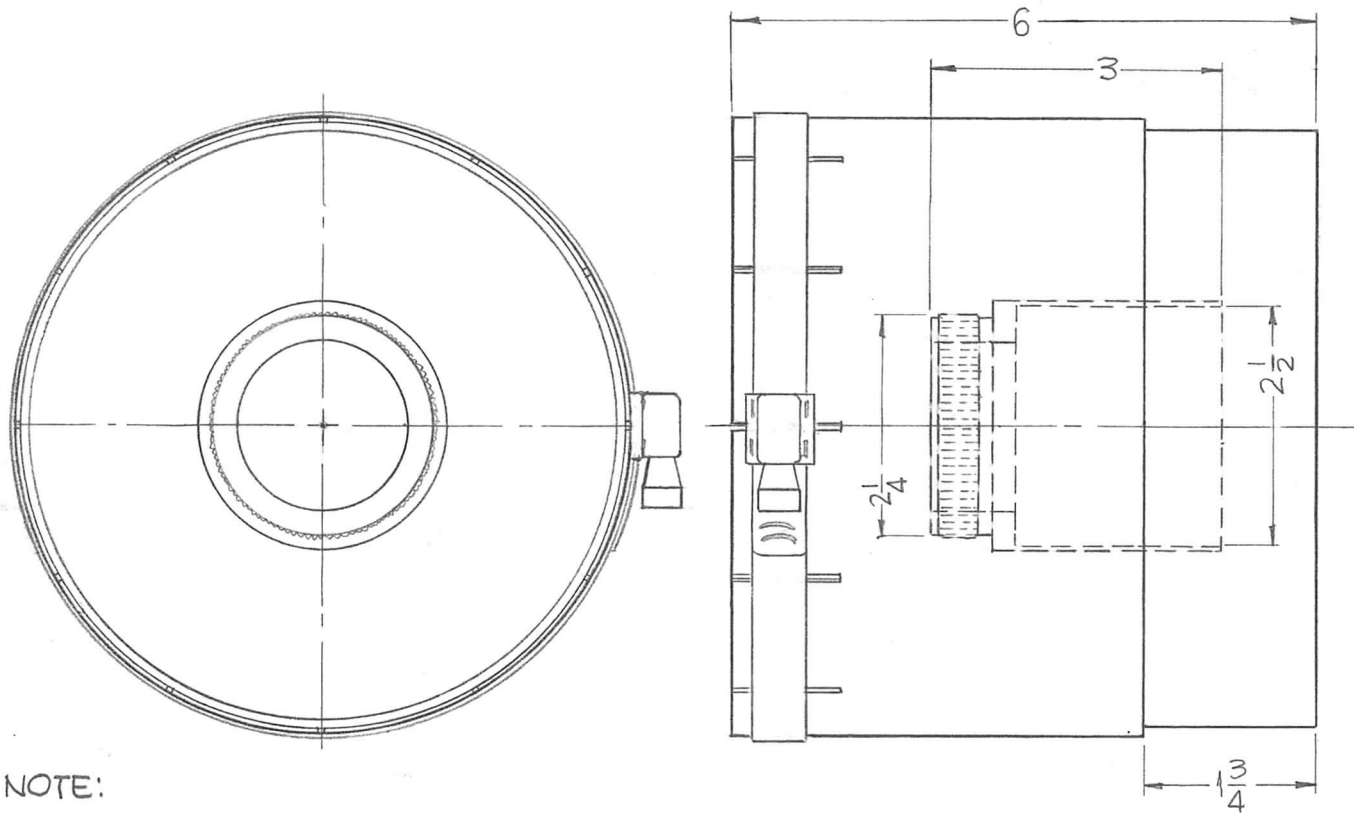


REQ. PER UNIT	USED ON			PO 279	A
	MODEL	ASS'Y. NO.	DATE		
2	GPT-200K	A 3198	11-12-63		



NOTE:
ALL DIMENSIONS FOR REF! ONLY

REQ.	ITEM	PART NO.	F. BUDETTI DESCRIPTION			SYMBOL
A	6 WAS 6 1/32; DELE. 2 1/16	1-17-66 15530 HLA	THE TECHNICAL MATERIEL CORP. MAMARONECK, NEW YORK			
	ORIG. RELEASE FOR PROD.	5-16-64 SRG	ADAPTOR R.F. TRANS. LINE, 6 1/8			
SYM	DESCRIPTION	DATE	CH. NO.	DRAFTS	CHECKER	ENG. APP.
UNLESS OTHERWISE SPECIFIED DIMENSIONS ARE IN INCHES AND INCLUDE CHEMICALLY APPLIED OR PLATED FINISHES		SCALE		1/2" = 1"		
DECIMALS .X ± .05 .XX ± .01 .XXX ± .005		FRACTIONS ± 1/64 ANGLES ± 0° 30'		TOLERANCES		
CODE		C		SRG		
TYPE & TEMPER		HEAT TREAT. SPEC.		DRAWN		CHECKED
FINISH & SPEC. NO.		ELEC. DES. APP.		MECH. DES. APP.		FINAL APPROVAL
				SRG		aa
				803		PO 279
						A