

THE CONTENTS OF THIS DRAWING ARE THE EXCLUSIVE PROPERTY OF THE TECHNICAL MATERIEL CORP. ITS UNAUTHORIZED USE FOR REPRODUCTION IN WHOLE OR IN PART IS STRICTLY FORBIDDEN.

REQ. PER UNIT

1

USED ON

MODEL

GPT-200KAX-392

ASS'Y. NO.

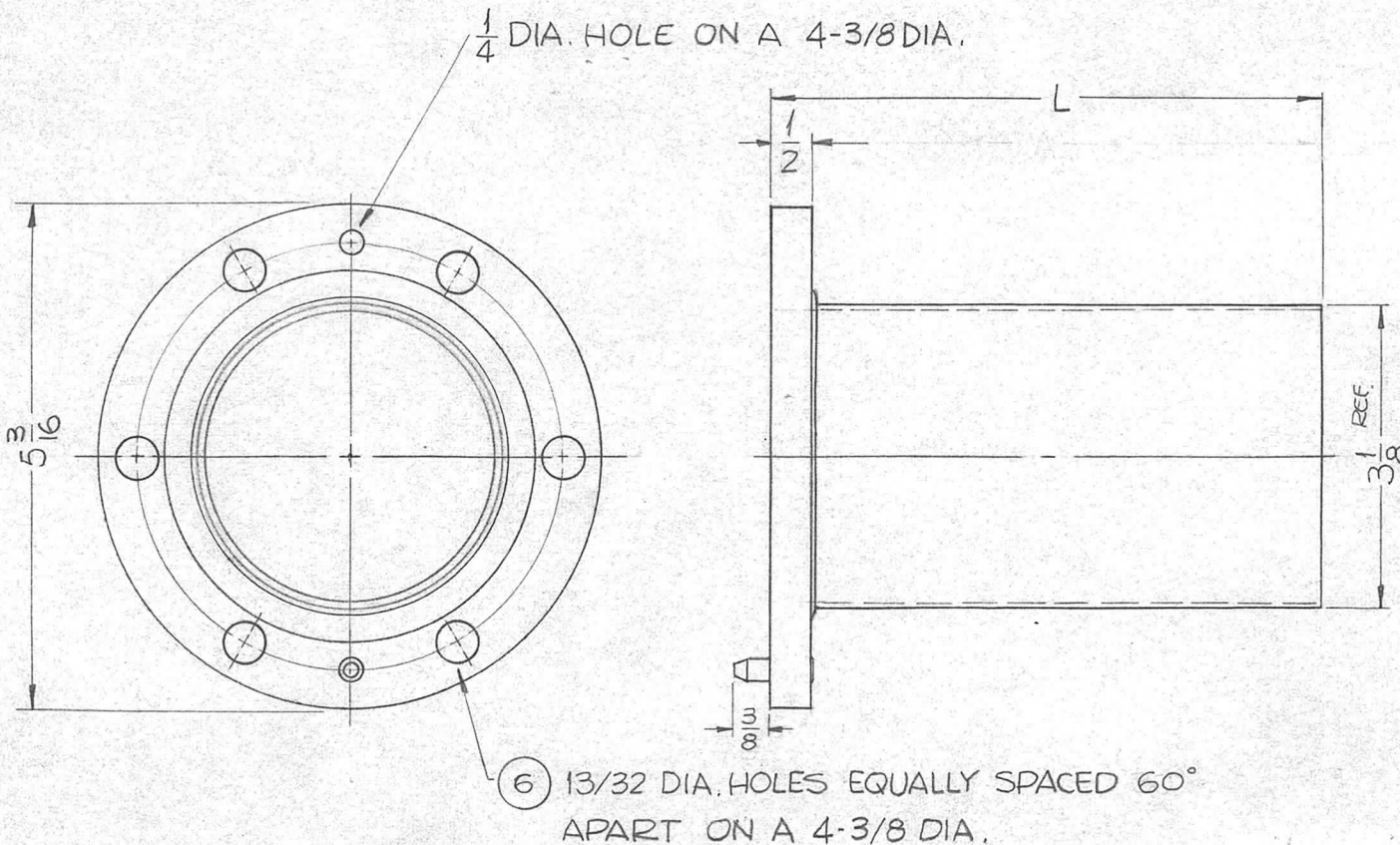
A-2751

DATE

5-24-63

PO 274 0

TMC NO. PO-274-1  
 PCL 2 1/2  
 5-24-63



REQ.	ITEM	PART NO.	F. BUDETTI	DESCRIPTION	SYMBOL				
				THE TECHNICAL MATERIEL CORP. MAMARONECK, NEW YORK					
				ADAPTOR, FLANGED TO UNFLANGED LINE, 3-1/8					
0	ORIGINAL RELEASE	7.1764	ASB						
SYM	DESCRIPTION	DATE	CH. NO.	DRAFTS	CHECKER	ENG. APP.			
UNLESS OTHERWISE SPECIFIED DIMENSIONS ARE IN INCHES AND INCLUDE CHEMICALLY APPLIED OR PLATED FINISHES		SCALE							
DECIMALS .X ± .05 .XX ± .01 .XXX ± .005	TOLERANCES	FRACTIONS ± 1/64 ANGLES ± 0° 30'	CODE	S-401-31					
					SRG	aa	RJC		
					TYPE & TEMPER	HEAT TREAT. SPEC.	DRAWN	CHECKED	FINAL APPROVAL
							POB	MC #1/4	PO-274 0
					FINISH & SPEC. NO.	ELEC. DES. APP.	MECH. DES. APP.		