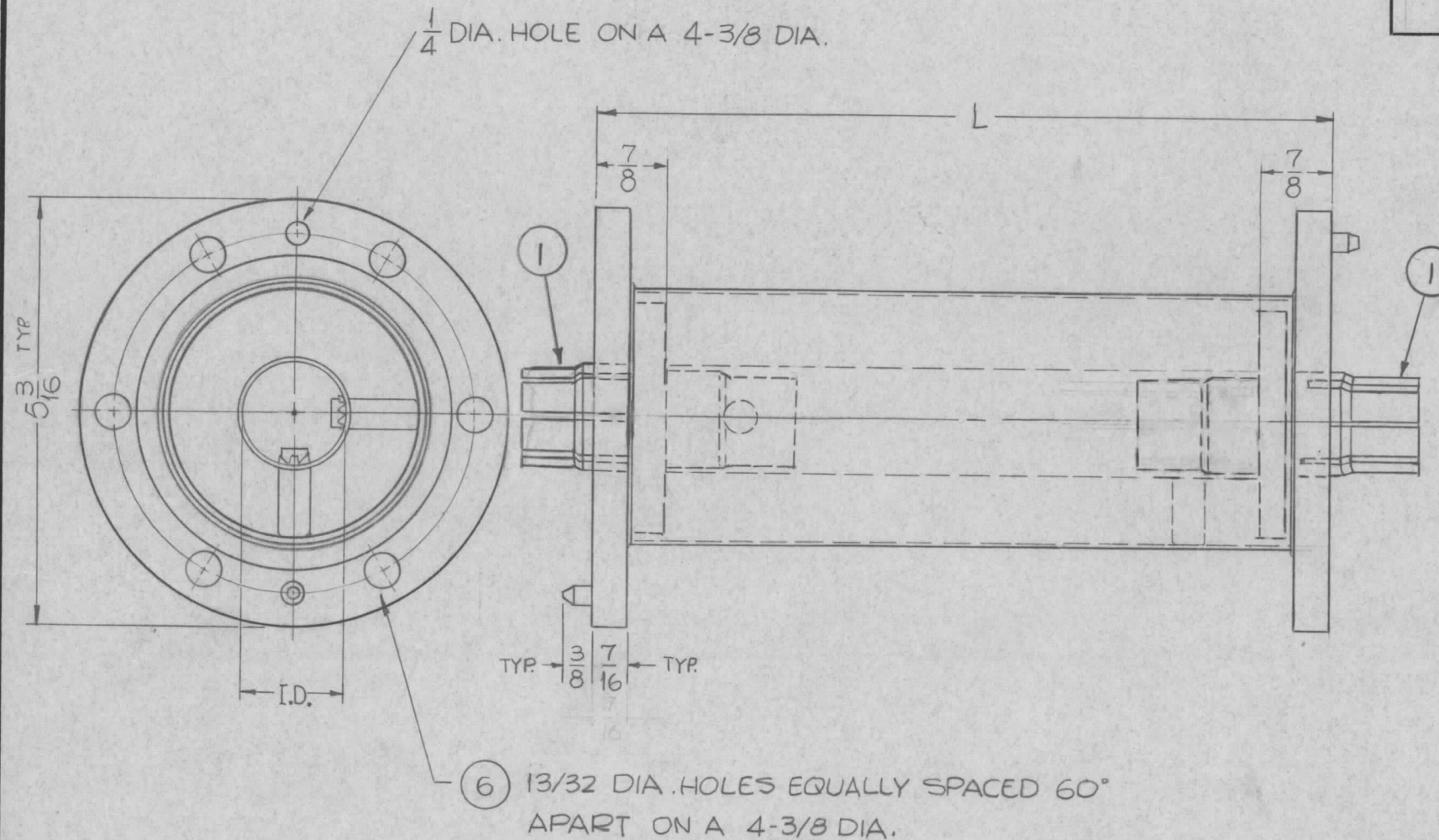


PO-266 A

REVISIONS

SYM	DESCRIPTION	DATE	E.M.N. NO.	DRAFT	CHKD	APPD
0	ORIGINAL RELEASE FOR PRODUCTION	5-16-64		SRG		
A	ITEM "I" ADDED	6/8/64	14184			



TMC NO.	IMPEDANCE	I.D.	ITEM I (SEE NOTE)
PO-266-50	50	1.231	PO210-50
PO-266-70	70	.805	PO210-70

NOTES:

- 1. ITEM "I", INNER CONNECTOR, TO BE SUPPLIED BY MANUFACTURER. QUANTITY "2".

PO-266-50-L  
 TMC NO.      NOMINAL IMPEDANCE      LENGTH IN INCHES

NOTES

1	GPT-200K	AX-392
Q'TY./UNIT	MODEL USED ON	ASS'Y. NO.
SCALE	CODE	S401-31

THE CONTENTS OF THIS DRAWING ARE THE EXCLUSIVE PROPERTY OF THE TECHNICAL MATERIEL CORP. ITS UNAUTHORIZED USE OR REPRODUCTION IN WHOLE OR IN PART IS STRICTLY FORBIDDEN.

REQ'D.	ITEM	PART NUMBER	DESCRIPTION	SYMBOL
F. BUDETTI LIST OF MATERIAL				
MATERIAL			THE TECHNICAL MATERIEL CORP. MAMARONECK, NEW YORK	
FINISH			TITLE LINE, RF. TRANSMISSION 3-1/8 RIGID, FLANGED	
UNLESS OTHERWISE SPECIFIED DIMENSIONS ARE IN INCHES AND INCLUDE CHEMICALLY APPLIED OR PLATED FINISHES			DRAWN SRG DATE 5-28-63	FINAL APPROVAL Roe
DECIMALS .X ± .05 .XX ± .01 .XXX ± .005			CHECKED aa DATE 5/13/64	DATE
FRACTIONS ± 1/64 ANGLES ± 0° 30'			ELECT. DES. [Signature]	PO-266
TOLERANCES			MECH. DES. [Signature]	A
SHEET				REV. LTR.