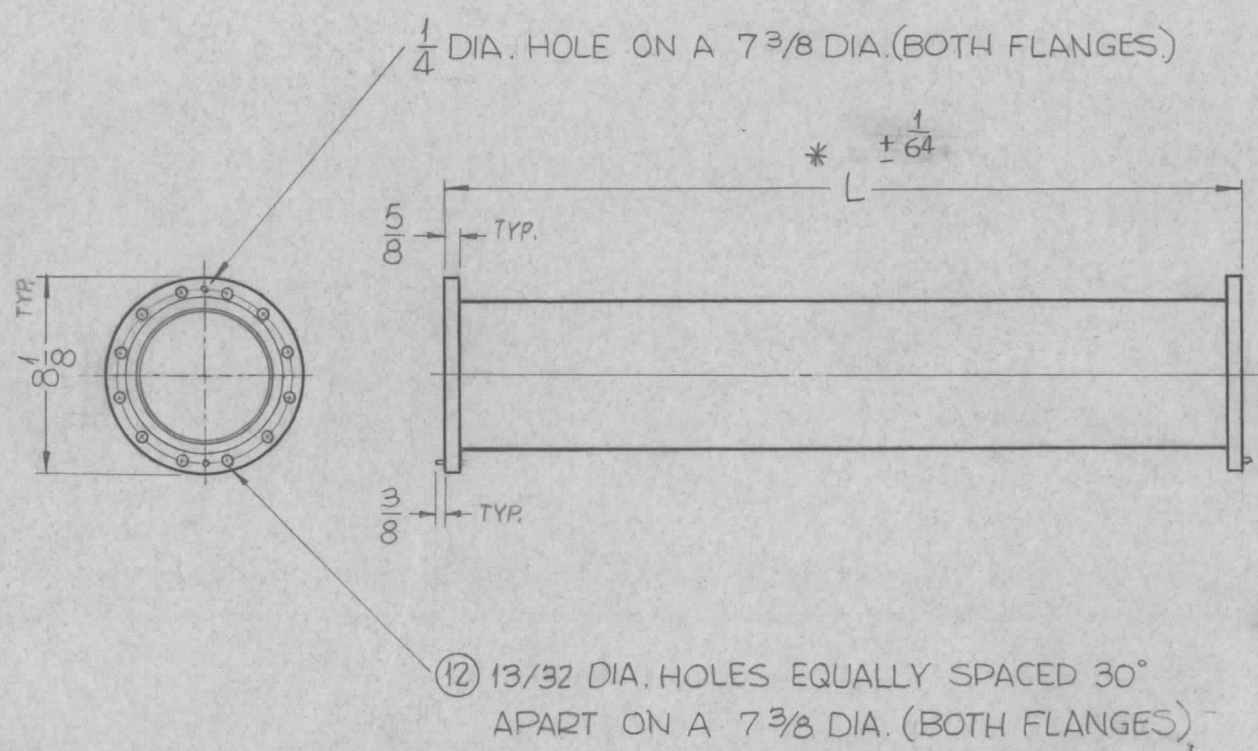


TMC PART NO.	MFG. PART NO.	IMPEDANCE
PO-265-50	2773	50Ω
PO-265-70		75Ω

PO-265 0

REVISIONS					
SYM	DESCRIPTION	DATE	E.M.N. NO.	DRAFT	CHKD APPD
0	ORIGINAL RELEASE FOR PRODUCTION	5-27-64	0	A.M.	



PO-265-50-24.75  
 TMC NO.      IMPEDANCE      LENGTH IN INCHES

MANUFACTURER TO SUPPLY THE FOLLOWING:  
 ① O RING GASKET (TMC NO. PO-255)  
 ① INNER CONNECTOR (TMC NO. PO-255)  
 ① INNER CONDUCTOR (TMC NO. PO-)

ELECTRIC SPECIFICATIONS:  
 POWER ~ 1500 KW  
 FREQUENCY ~ 0-750 MC  
 IMPEDANCE ~ 50 Ω  
 TMC NO.

ALL DIMENSIONS ARE IN INCHES UNLESS OTHERWISE SPECIFIED  
 INCLUDES INNER CONNECTOR, O RING GASKET, LOCKWASHERS

REQ'D.	ITEM	PART NUMBER	DESCRIPTION	SYMBOL
<b>LIST OF MATERIAL</b>				
MATERIAL		<b>THE TECHNICAL MATERIEL CORP. MAMARONECK, NEW YORK</b>		
FINISH		TITLE LINE RF TRANSMISSION 6 1/8 RIGID		
UNLESS OTHERWISE SPECIFIED DIMENSIONS ARE IN INCHES AND INCLUDE CHEMICALLY APPLIED OR PLATED FINISHES		DRAWN SRG	DATE 4-4-63	FINAL APPROVAL Rpe
		CHECKED aa	DATE	
DECIMALS .X ± .05 .XX ± .01 .XXX ± .005		ELECT. DES. SO	DATE 5/8/64	PO-265
FRACTIONS ± 1/64 ANGLES ± 0° 30'		MECH. DES. Rpe	DATE 5/8/64	0
TOLERANCES		SHEET		REV. LTR.

NOTES

THE CONTENTS OF THIS DRAWING ARE THE EXCLUSIVE PROPERTY OF THE TECHNICAL MATERIEL CORP. ITS UNAUTHORIZED USE OR REPRODUCTION IN WHOLE OR IN PART IS STRICTLY FORBIDDEN.

Q'TY./UNIT	MODEL USED ON	ASS'Y. NO.
SCALE	CODE	S-401-31