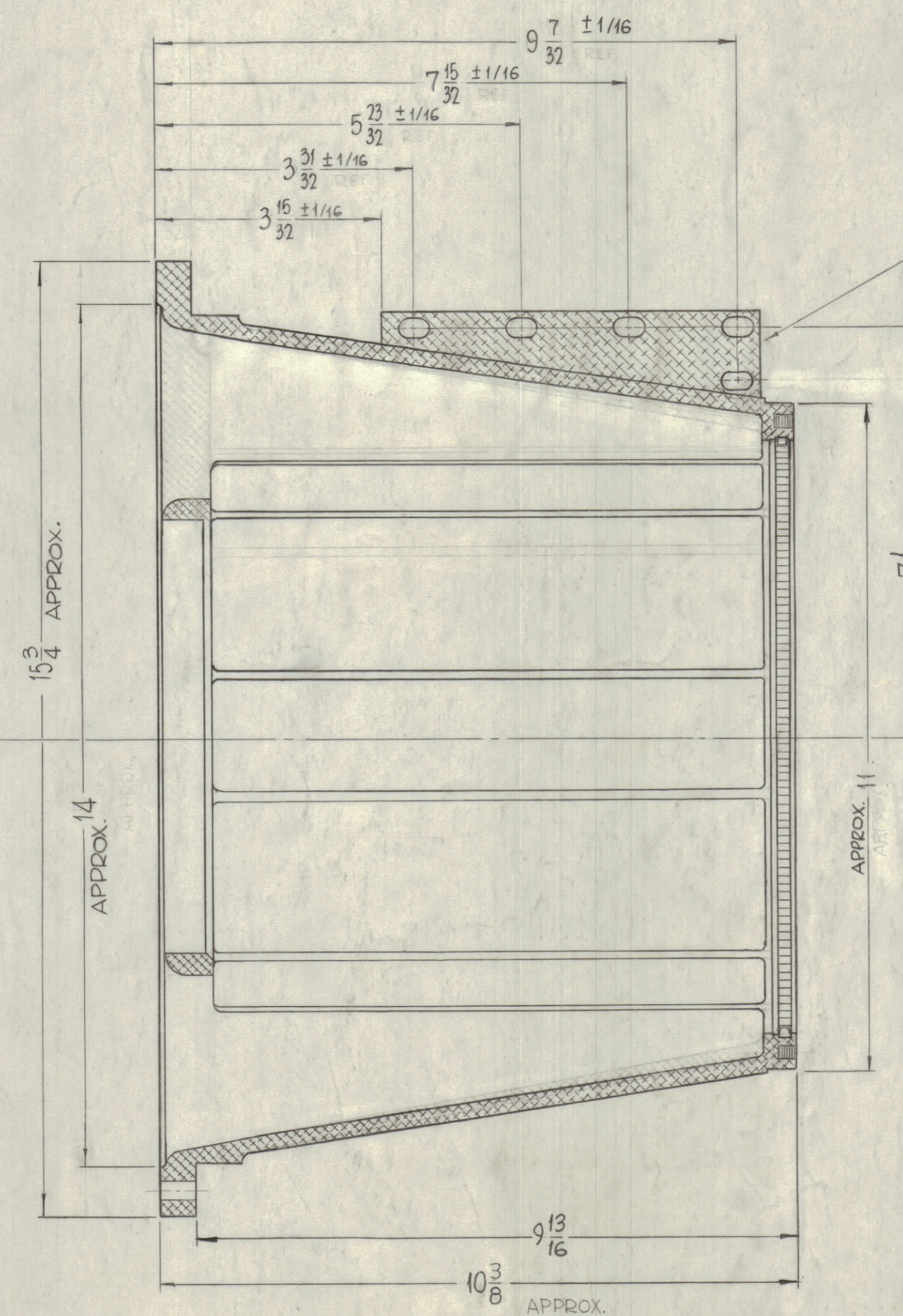
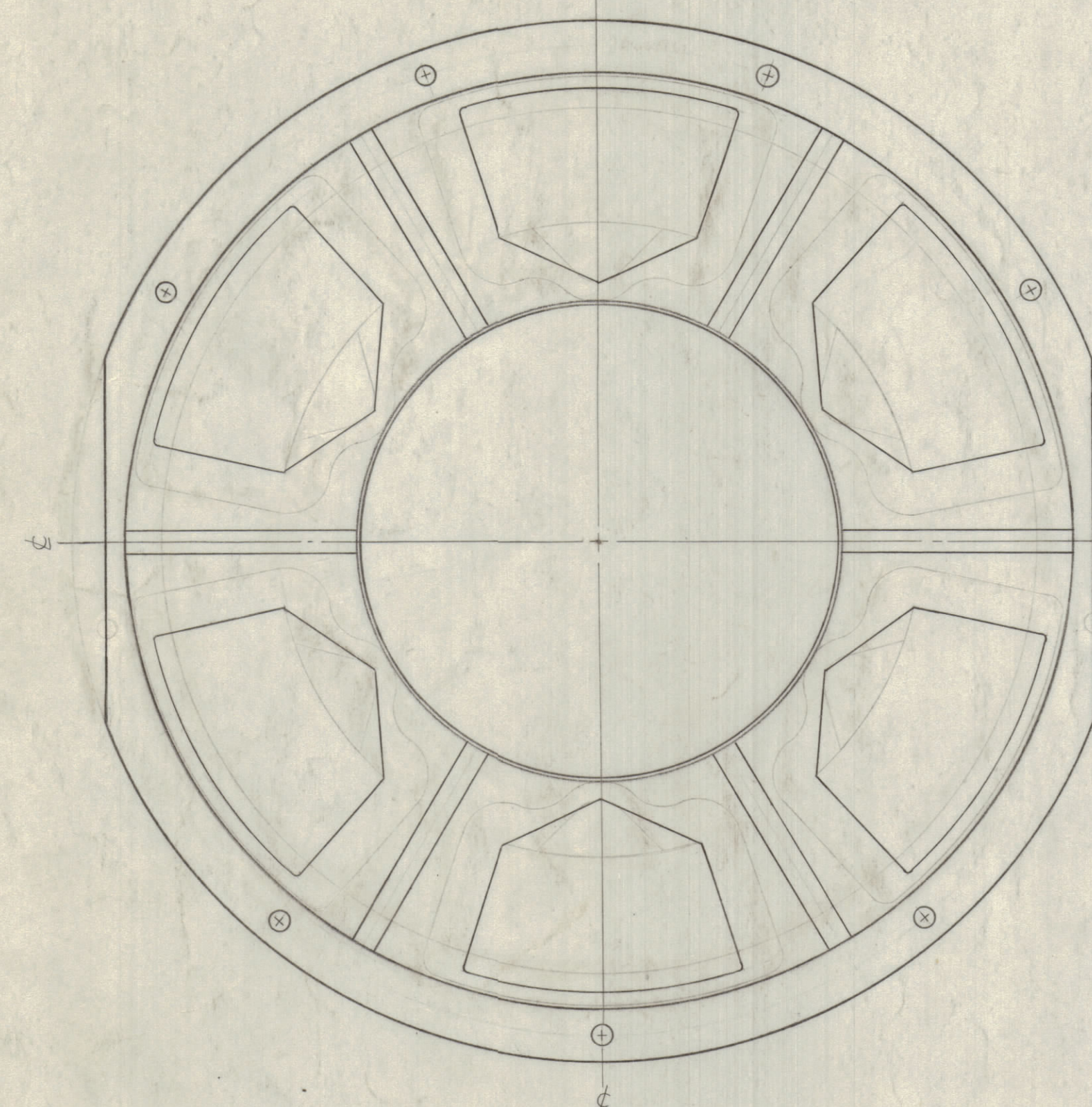
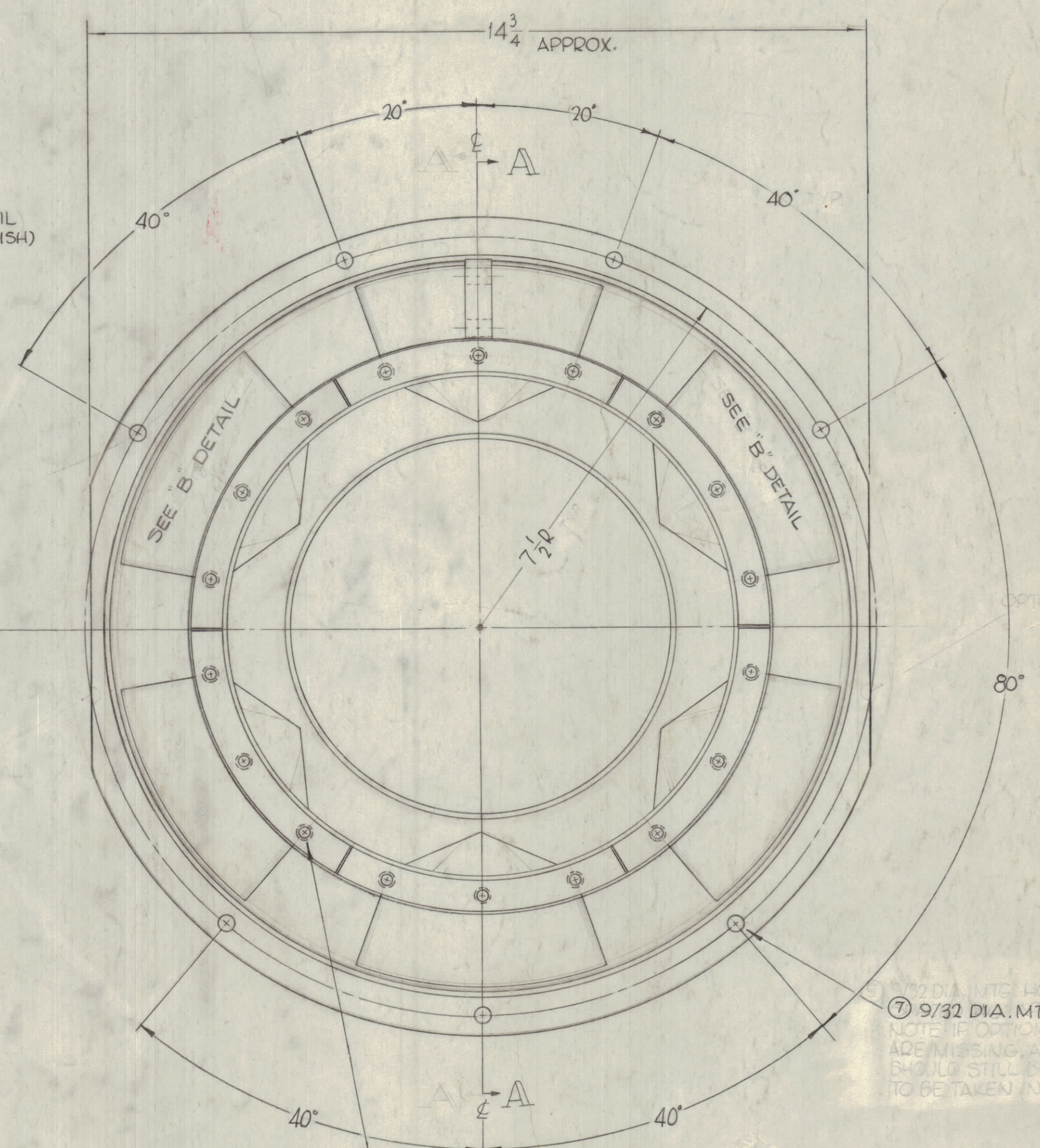


REVISIONS						
ZONE	SYM	DESCRIPTION	DATE	E.M.N. NO.	DRAFT	CHKD
X	S	LETTERING ADDED	4-64			
#	O	ORIGINAL RELEASE FOR PRODUCTION	5/26/64	0	A.M.	



SECTION A-A



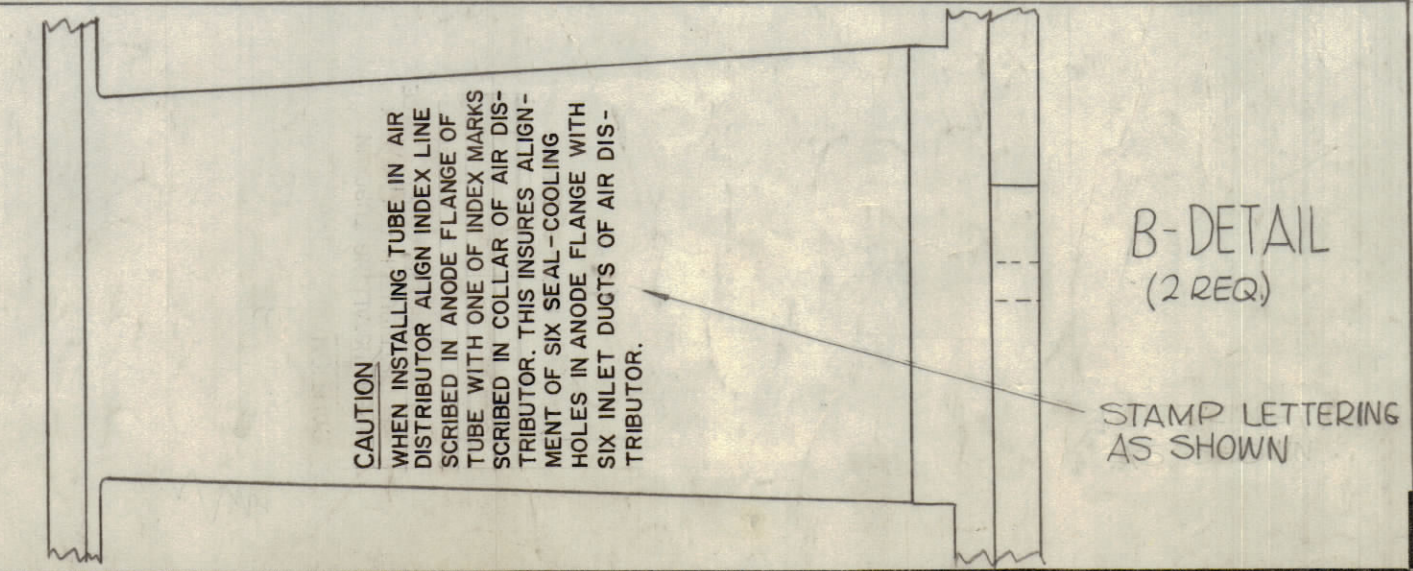
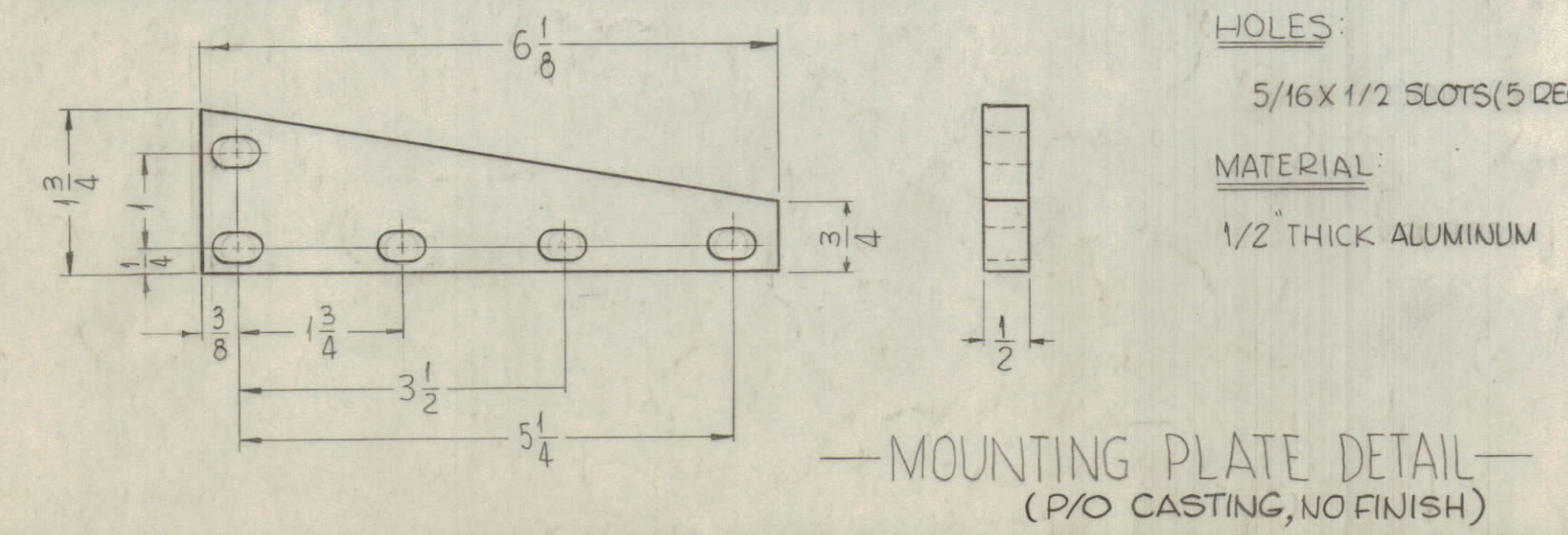
SEE DETAIL (DO NOT FINISH)

SEE B' DETAIL

SEE B' DETAIL

OPTIONAL
 7 9/32 DIA. MTG. HOLES EQUALLY SPACED 20° APART ON A 10-5/16 DIA.
 NOTE IF OPTIONAL HOLES ARE MISSING, AIR DISTRIBUTOR SHOULD STILL BE ACCEPTABLE TO BE TAKEN INTO STOCK

16 10-32 X 7/16 DEEP TAPPED HOLES EQUALLY SPACED 20° APART ON A 10-5/16 DIA.



NOTES

QTY/UNIT	2	MODEL USED ON	GPT-200K	ASSY. NO.	AX-393
SCALE	#	CODE	C	DATE	5/401-84

REV'D	ITEM	PART NUMBER	DESCRIPTION	SYMBOL
F. BUDETTI LIST OF MATERIAL				
MATERIAL THE TECHNICAL MATERIEL CORP. MAMARONECK, NEW YORK				
FINISH GDEY HAMMER FINISH (EXCEPT MTG. PLATE)				
TITLE AIR DISTRIBUTOR				
UNLESS OTHERWISE SPECIFIED DIMENSIONS ARE IN INCHES AND INCLUDE CHEMICALLY APPLIED OR PLATED FINISHES	DRAWN	DATE	FINAL APPROVAL	DATE
	Checked <i>aa</i>	10-27-62	<i>KZ</i>	
DECIMALS: .X ± .05, .XX ± .01, .XXX ± .005	TOLERANCES	FRACTIONS: ± 1/64, ± 1/32, ± 3/64	ELECT. DES.	DATE
		ANGLES: ± 30'	MECH. DES.	DATE
THE CONTENTS OF THIS DRAWING ARE THE EXCLUSIVE PROPERTY OF THE TECHNICAL MATERIEL CORP. ITS UNAUTHORIZED USE OR REPRODUCTION IN WHOLE OR IN PART IS STRICTLY FORBIDDEN.				REV. LTR.

P0-252