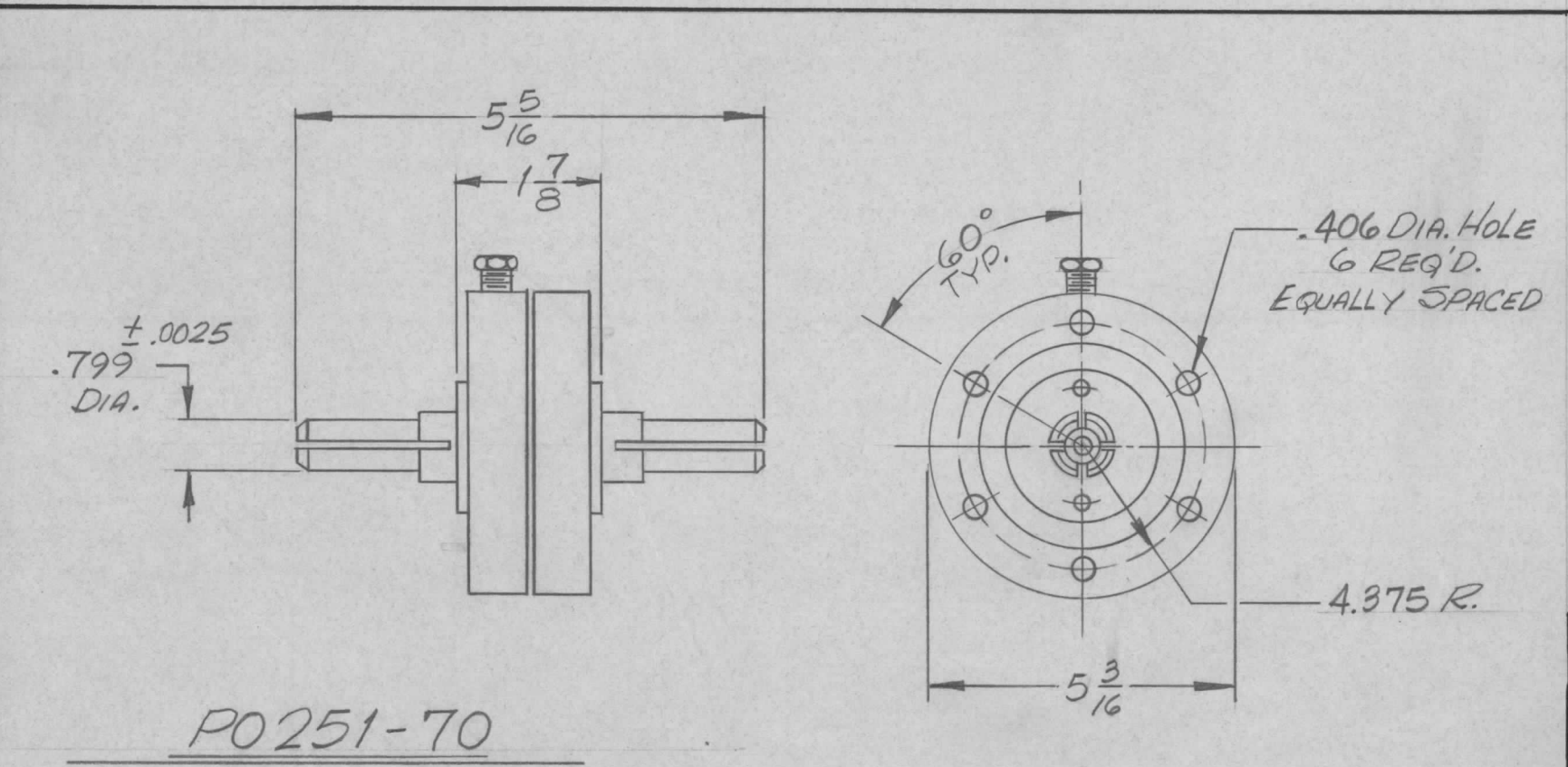


PO 251

REVISIONS						
SYM	DESCRIPTION	DATE	E.M.N. NO.	DRAFT	CHKD	APPD
Ø	ORIGINAL RELEASE FOR PROD.	8/25/69	Ø	<i>hde</i>		<i>hde</i>



REQ'D.	ITEM	PART NUMBER	DESCRIPTION	SYMBOL
A. MARTINEGO LIST OF MATERIAL				
MATERIAL		THE TECHNICAL MATERIEL CORP. MAMARONECK, NEW YORK		
FINISH		TITLE CONNECTOR, ELECTRICAL GAS BARRIER 3/8, E1A		
UNLESS OTHERWISE SPECIFIED DIMENSIONS ARE IN INCHES AND INCLUDE CHEMICALLY APPLIED OR PLATED FINISHES		DRAWN <i>H. Austin</i>	DATE 3/25/66	FINAL APPROVAL <i>SPM</i>
DECIMALS .X ± .05 .XX ± .01 .XXX ± .005		CHECKED <i>hde</i>	DATE 8/22/69	DATE 8/25/69
FRACTIONS ± 1/64 ANGLES ± 0° 30'		ELECT. DES.	DATE	
TOLERANCES		MECH. DES.	DATE	
SHEET				REV. LTR.

Q'TY./UNIT	MODEL USED ON	ASS'Y. NO.
SCALE	CODE C	5401-31-1262A

THE CONTENTS OF THIS DRAWING ARE THE EXCLUSIVE PROPERTY OF THE TECHNICAL MATERIEL CORP. ITS UNAUTHORIZED USE OR REPRODUCTION IN WHOLE OR IN PART IS STRICTLY FORBIDDEN.

NOTES